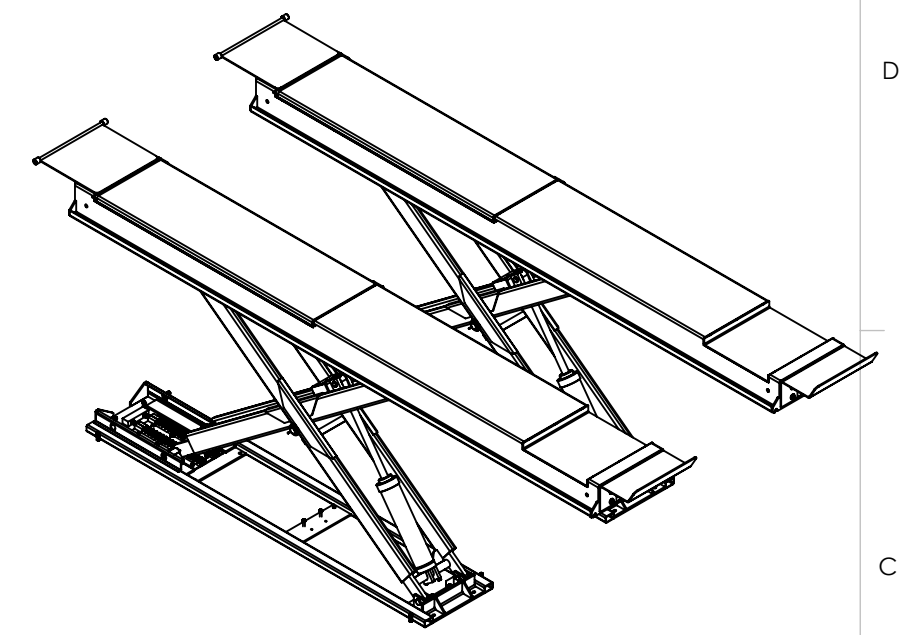
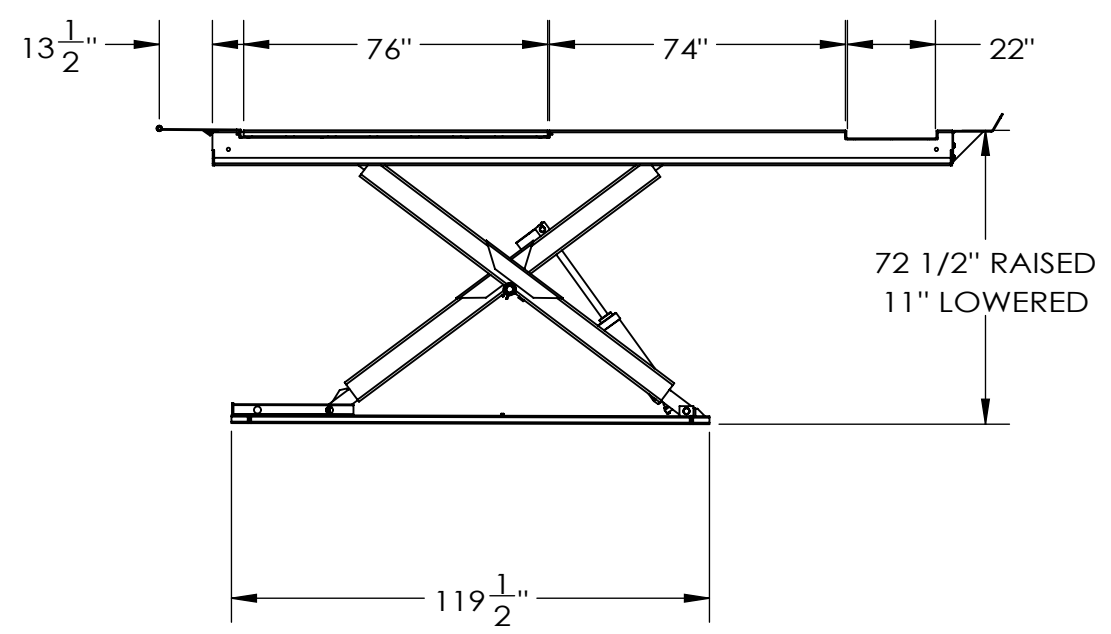
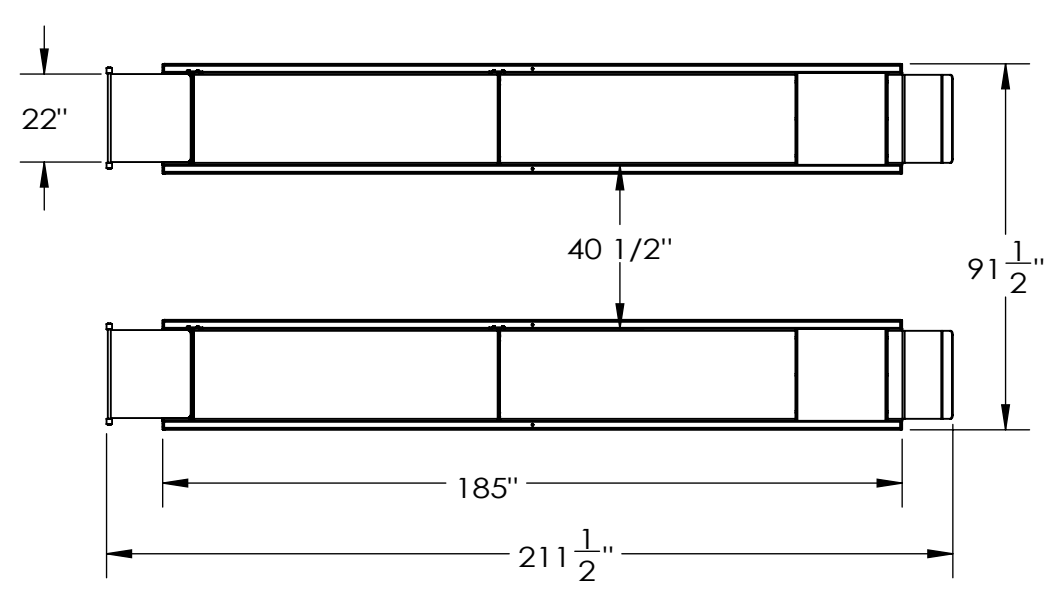



8 7 6 5 4 3 2 1

D
C
B
A



D
C
B
A

| | | | | | |
|--|--|---|------|--|---------------------|
| <p>UNLESS OTHERWISE SPECIFIED: DIMENSIONS ARE IN [MM] INCHS</p> <p>TOLERANCES: FRACTIONAL: ±[1.5] 1/16" ANGLE: MACH ±1/2° BEND ±1° X.X" (1 DECIMAL): ±[3] 0.1" X.XX" (2 DECIMAL): ±[1] 0.03" X.XXX" (3 DECIMAL): ±[0.5] 0.010" GEOMETRIC TOLERANCING PER: ASME Y.14.5M-1994</p> | |  <p>PROPRIETARY AND CONFIDENTIAL THE INFORMATION CONTAINED IN THIS DRAWING IS THE SOLE PROPERTY OF TOTAL AUTOMOTIVE LIFTING SOLUTIONS INC. (TLS). ANY REPRODUCTION IN PART OR AS A WHOLE WITHOUT THE WRITTEN PERMISSION OF TLS IS PROHIBITED.</p> | | <p>TOTAL AUTOMOTIVE LIFTING SOLUTIONS INC. (905)847-1198 FAX (905)891-1214 www.TLSLifts.com</p> | |
| MATERIAL | | NAME | DATE | MODEL: TLSS10ALORx1FM | |
| FINISH | | DRAWN | S.Z. | 11/01/2013 | CAPACITY: 10,000LBS |
| DO NOT SCALE DRAWING | | CHECKED | | | SIZE PART# |
| | | APPROVED | | | B ALT. PART# |
| | | | | | REV. |
| | | | | SCALE: 1:48 | SHEET 1 OF 1 |

8 7 6 5 4 3 2 1