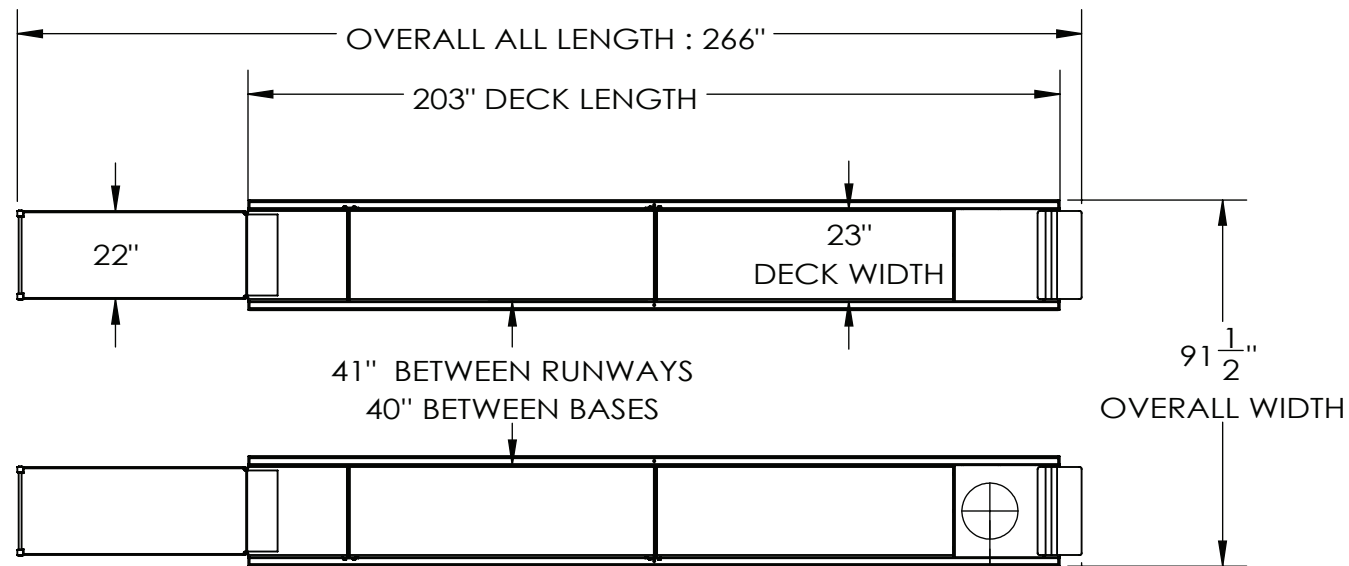


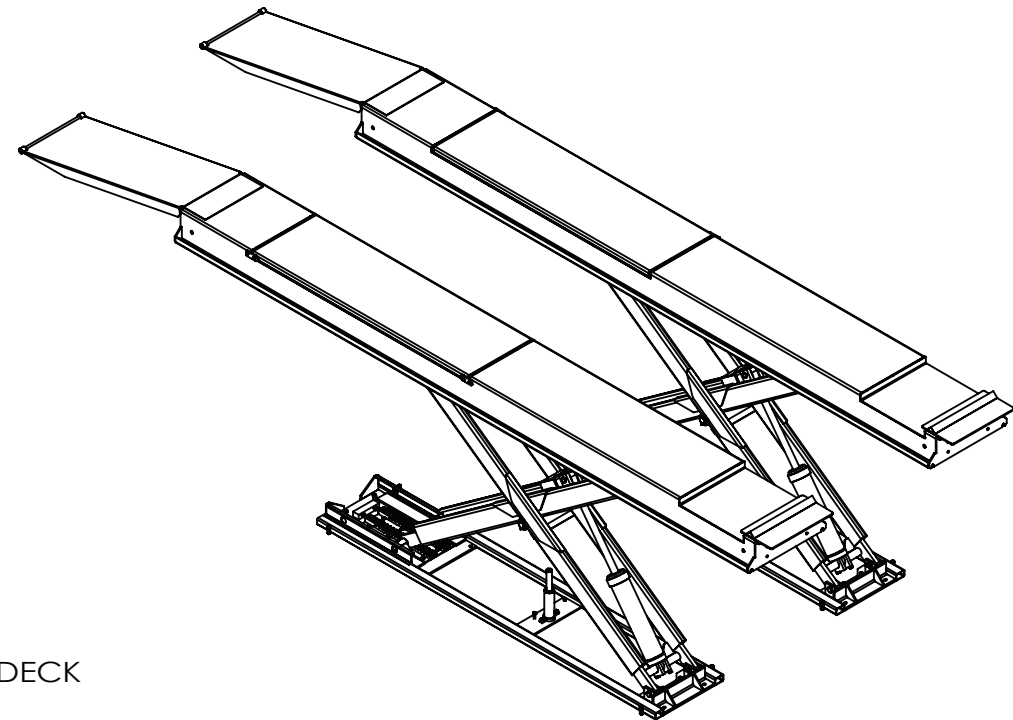
8 7 6 5 4 3 2 1

D



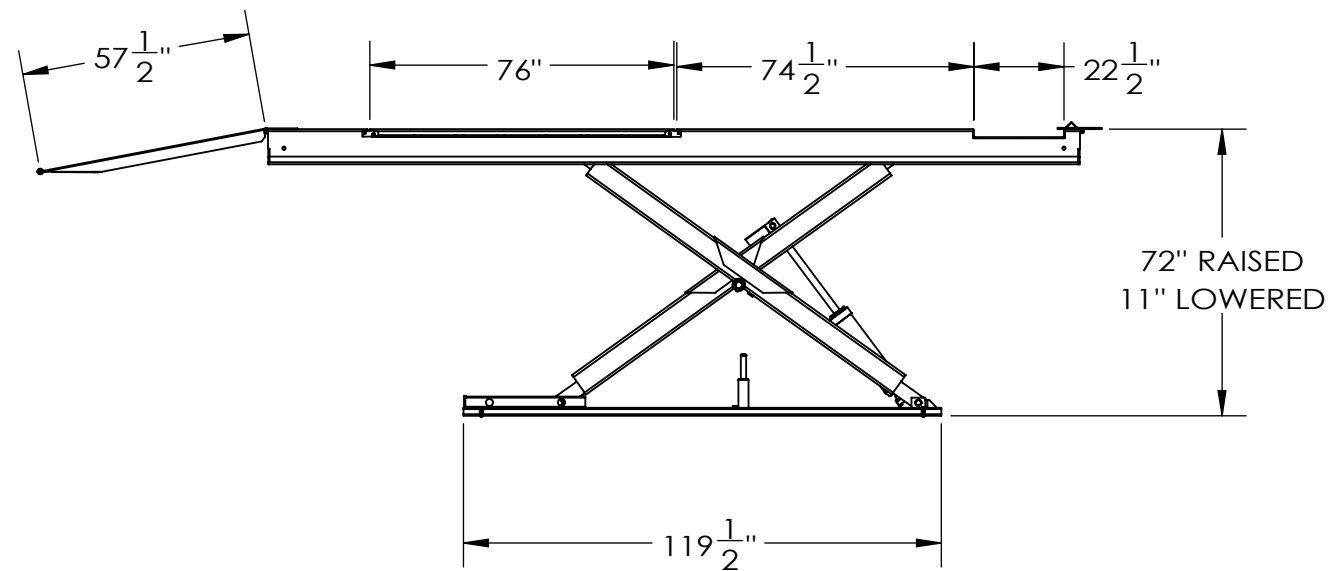
160" MAX. 4 WHEEL ALIGN. W.B.  
 178" MAX. 2 WHEEL ALIGN. W.B.  
 195" MAX. SERVICE W.B.

17 1/2" TURN PLATE TO FRONT DECK  
 23" TURN PLATE TO WHEEL STOP



D

C




B

B

A

A

UNLESS OTHERWISE SPECIFIED: DIMENSIONS ARE IN [MM] INCHS		 PROPRIETARY AND CONFIDENTIAL THE INFORMATION CONTAINED IN THIS DRAWING IS THE SOLE PROPERTY OF TOTAL AUTOMOTIVE LIFTING SOLUTIONS INC. (TLS). ANY REPRODUCTION IN PART OR AS A WHOLE WITHOUT THE WRITTEN PERMISSION OF TLS IS PROHIBITED.	TOTAL AUTOMOTIVE LIFTING SOLUTIONS INC. (905)847-1198 FAX (905)891-1214 www.TLSLifts.com	
TOLERANCES: FRACTIONAL: ±[1.5] 1/16" ANGLE: MACH ±1/2° BEND ±1° X.X" (1 DECIMAL): ±[3] 0.1" X.XX" (2 DECIMAL): ±[1] 0.03" X.XXX" (3 DECIMAL): ±[0.5] 0.010" GEOMETRIC TOLERANCING PER: ASME Y.14.5M-1994			MODEL: TLSS14FDORx1	
MATERIAL		NAME	DATE	CAPACITY: 14,000LBS
FINISH		DRAWN	S.Z. 21/07/2014	SIZE PART#
DO NOT SCALE DRAWING		CHECKED		B ALT. PART#
		APPROVED		SCALE: 1:48
				REV.

8 7 6 5 4 3 2 1