

8 7 6 5 4 3 2 1

D

C

B

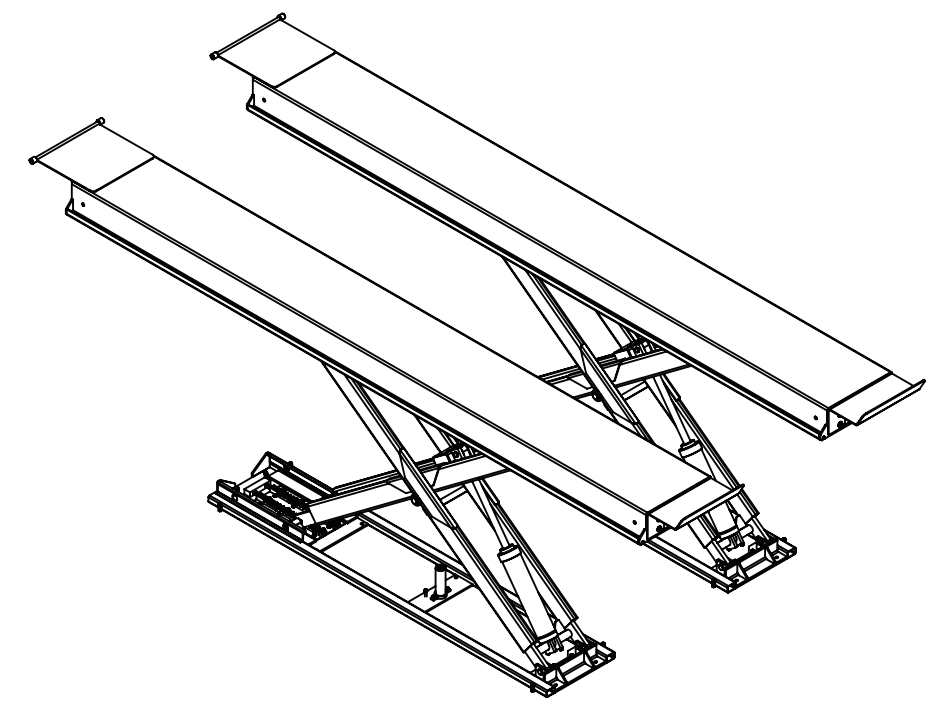
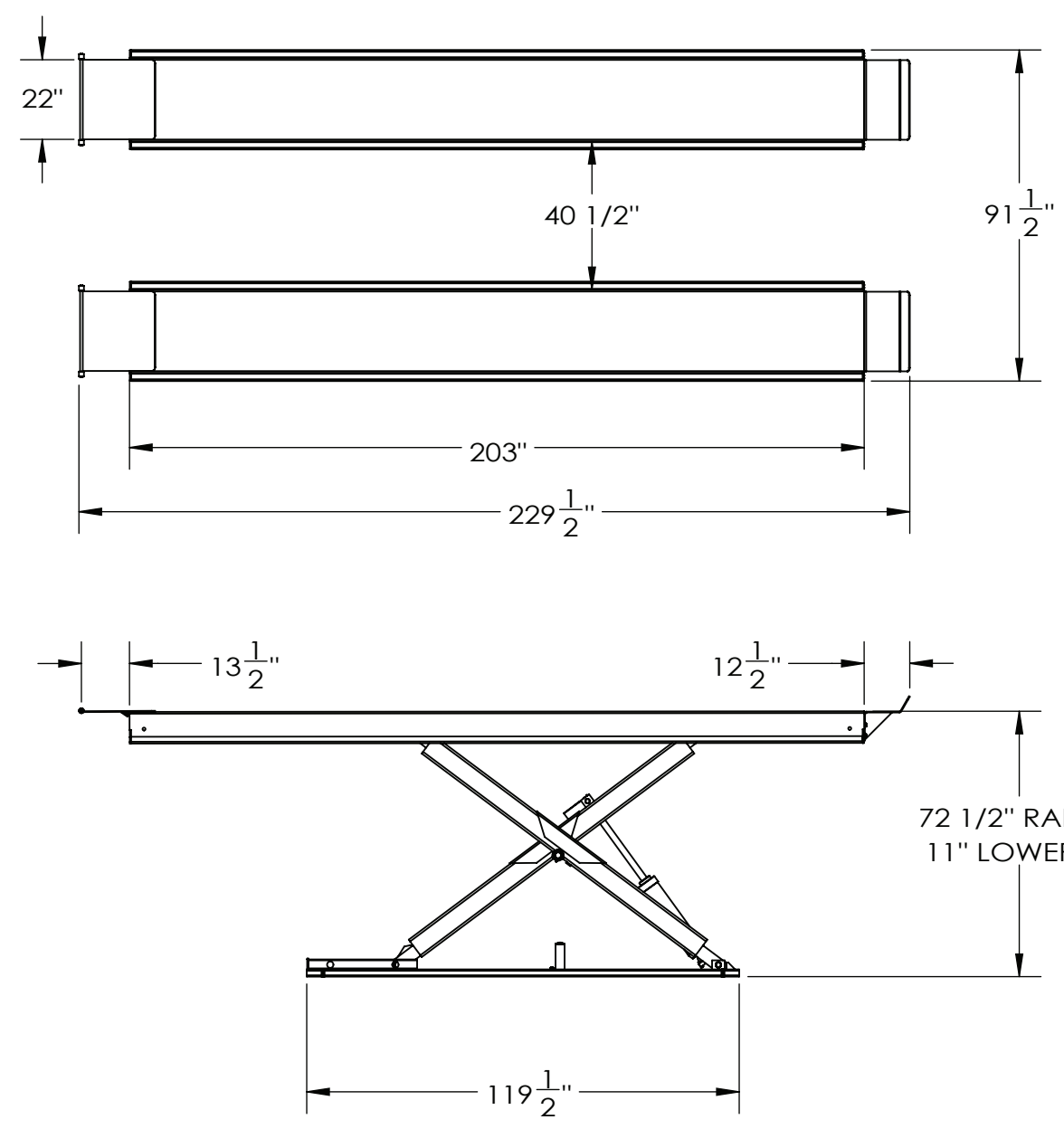
A


D

C

B

A



UNLESS OTHERWISE SPECIFIED: DIMENSIONS ARE IN [MM] INCHS		 PROPRIETARY AND CONFIDENTIAL THE INFORMATION CONTAINED IN THIS DRAWING IS THE SOLE PROPERTY OF TOTAL AUTOMOTIVE LIFTING SOLUTIONS INC. (TLS). ANY REPRODUCTION IN PART OR AS A WHOLE WITHOUT THE WRITTEN PERMISSION OF TLS IS PROHIBITED.	TOTAL AUTOMOTIVE LIFTING SOLUTIONS INC. (905)847-1198 FAX (905)891-1214 www.TLSLifts.com	
TOLERANCES: FRACTIONAL: ±[1.5] 1/16" ANGLE: MACH ±1/2° BEND ±1° X.X" (1 DECIMAL): ±[3] 0.1" X.XX" (2 DECIMAL): ±[1] 0.03" X.XXX" (3 DECIMAL): ±[0.5] 0.010" GEOMETRIC TOLERANCING PER: ASME Y.14.5M-1994			MODEL: TLSS16FDORx1FM	
MATERIAL		NAME	DATE	CAPACITY: 16,000LBS
FINISH		DRAWN	S.Z. 11/01/2013	SIZE PART#
DO NOT SCALE DRAWING		CHECKED		REV. B ALT. PART#
		APPROVED		SCALE: 1:48 SHEET 1 OF 1

8 7 6 5 4 3 2 1