

## TLS 2 POST LIFT SYMMETRIC & ASYMMETRIC

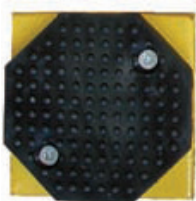
**12,000 lbs. Capacity**

- Heavy duty columns with close fitting carriages for smooth and secure vehicle lifting
- 159 inches installation height - 137 inches wide
- Twin hydraulic cylinders and cable equalization for dependable performance
- Powerpack can be mounted on driver or passenger side for individual application
- 3 inch steel cable pulleys for durability and low maintenance
- Mechanical safety locks automatically engage at 16 different operating heights
- Single point safety lock release and two-hand lift lowering contribute to safe operation
- Stack pad lift system with standard 1½", 3" and 6" height extension adapters
- Available in 2 Pc 90° offset Front Arm or Symmetric (4 of) 2 Pc Straight Arms (for trucks)
- 230V - 1 phase - 60 Hz - 20 Amp power required (optional 230V - 3 phase - 60 Hz available)

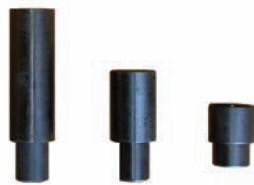


**Model Number TLS212MRx1  
TLS212SRx1**

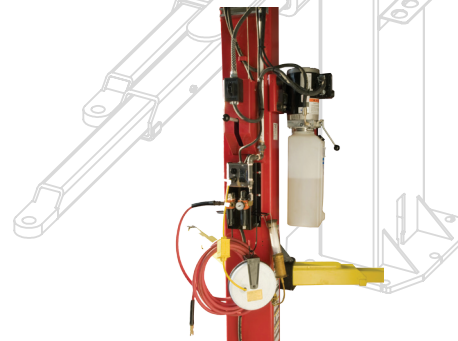
### Available Accessories



**Outer Arm Adapter  
TLS2PHA**



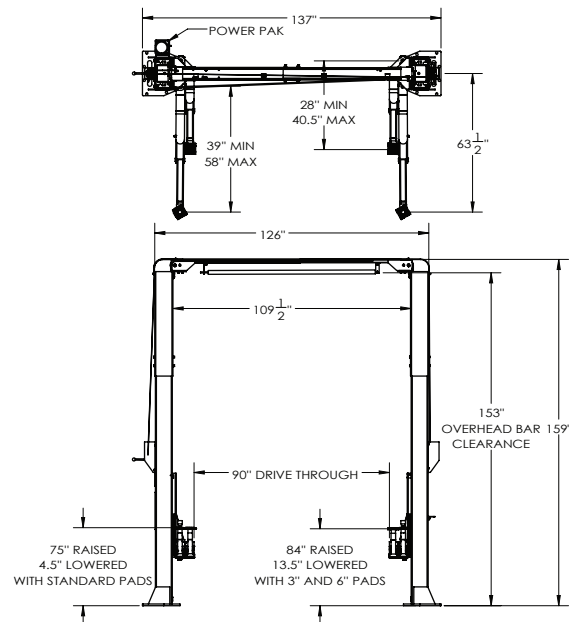
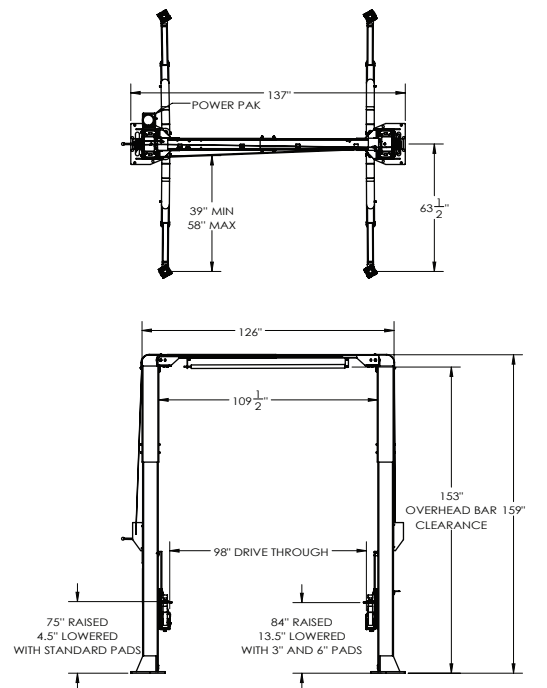
**1½" - 4" - 6" Height Adapters  
TLS2PSPA136**



**Air - Electric Station  
TLS2AES**

<b>TWO POST FEATURES</b>	<b>TLS212MRx1</b>	<b>TLS212SRx1</b>
ALI/ETL Certified	yes	
2n1 Symmetric Lifting	yes	
Clear Floor Design	yes	
Cable Equalization	yes	
Standard Height Model	yes	
Extended Height Model	yes	
Standard Width Model	yes	
Door Bumper Guards	yes	
Structural Warranty	2 years	
Hydraulic Parts Warranty	2 years	
Others Parts Warranty	2 years	
Accessories Warranty	90 days	
Labor Warranty	1 year	
Optional 3 Phase Power	yes	

<b>SPECIFICATIONS</b>	<b>TLS212MRx1</b>	<b>TLS212SRx1</b>
Capacity	12,000 lbs.	
Overall Width	137"	
Width Between Columns	109 <sup>1</sup> / <sub>2</sub> "	
Drive Thru Width	94"	
Overall Height	159"	155"
Under Bar Clearance	153"	149"
Lowered Height - Standard Lift P	41 <sup>1</sup> / <sub>2</sub> "	
Raised Height - Standard Lift Pac	75"	
Raised Height w/Adapter	84" w/3" and 6" adapter	
Front Arm Length	28" to 40 <sup>1</sup> / <sub>2</sub> "	
Rear Arm Length	39" to 58"	
Lift Time	45 seconds	
Power Requirement	230V - 60Hz - 1Ph - 20 Amp	
Shipping Weight	2,300 lbs.	



**Total Automotive Lifting Solutions Inc.**



2300 Speers Road, Oakville, Ontario  
L6L 2X8 Ph. (877) 799-5438