

## TWO POST MAX16 SYMMETRIC & ASYMMETRIC

### 16,000 lbs. Capacity

- clear floor symmetric design  
16.1 ft. ( 4902 mm ) ceiling height  
adjustable if required factory order  
down to 14.5 ft. ( 4394 mm )
- large profile one piece column  
construction with close fitting carriages  
for more strength and smooth secure  
vehicle lifting
- twin cylinder direct drive lift system with 3/8"  
( 9.5 mm ) pre-stressed equalizing cables
- ultra high molecular weight polyethylene carriage  
slide bearings ( 8 per column )
- single point pneumatic safety lock release  
(locks automatically re-engage when palm button  
is released)
- heavy duty threaded rod arm restraints engage  
when lift is raised
- low profile arms with stack pad  
(includes 4.25" (108 mm) and 9.75" (248 mm) extensions)
- 230V - 1 phase - 60 Hz - 20 Amp power required  
(optional 230V - 3 phase available)

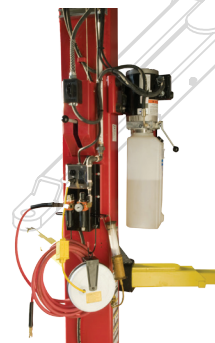


Model Number **TLS216SRx1**

### Available Accessories



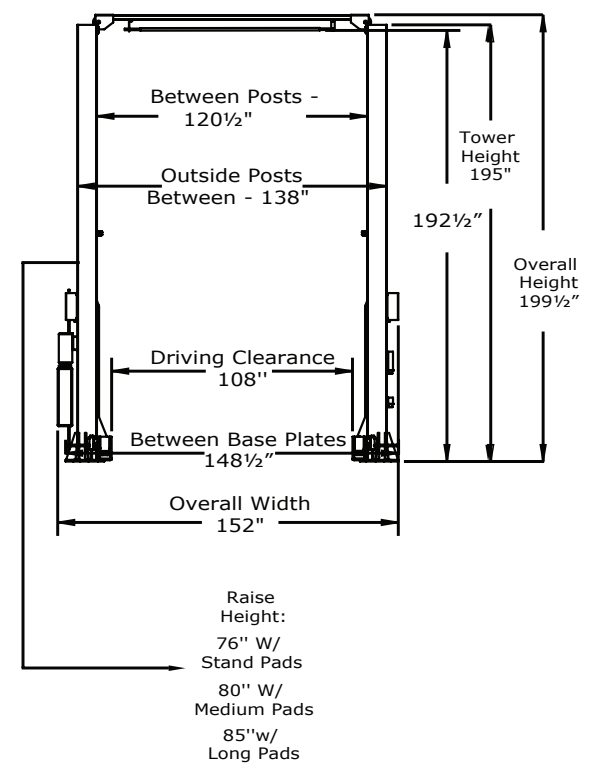
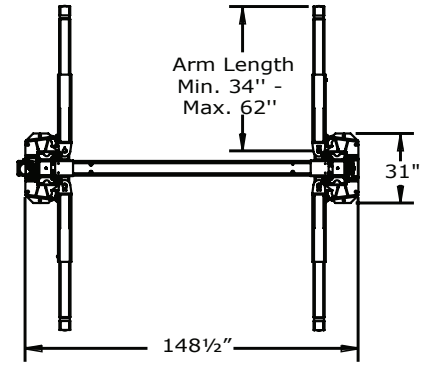
Stacking Pads (optional)  
**TLSP16A**



Air - Electric Station  
**TLS2AES**

PLATFORM LIFT FEATURES	TLS216SRx1	TLS218SRx1
ALI/ELT Certified		yes
Symmetric Lifting		yes
Clear Floor Design		yes
Cable Equalization		yes
Standard Height Model		yes
Extended Height Model		yes
Standard Width Model		yes
Single Piece Column		yes
Structural Warranty		2 years
Hydraulic Parts Warranty		2 years
Others Parts Warranty		2 years
Accessories Warranty		90 days
Labor Warranty		1 year
Optional 3 Phase Power		yes

SPECIFICATIONS	4TP216SSx1	4TP218SSx1
Capacity	16,000 lbs.	18,000 lbs.
Overall Width	152"	
Width Between Columns	120 <sup>1</sup> / <sub>2</sub> "	
Drive Thru Width	108"	
Overall Height	199 <sup>1</sup> / <sub>2</sub> "	
Under Bar Clearance	192 <sup>1</sup> / <sub>2</sub> "	
Lowered Height - Standard Lift Pad	5"	4"
Raised Height - Standard Lift Pad	76"	
Raised Height w/adapter	85"	86"
Front Arm Length	34" to 62"	
Rear Arm Length	34" to 62"	
Lift Time	70 seconds	
Power Requirement	230V - 60Hz - 1Ph - 25 Amp	
Shipping Weight	3,350 lb.	



**Total Automotive Lifting Solutions Inc.**

