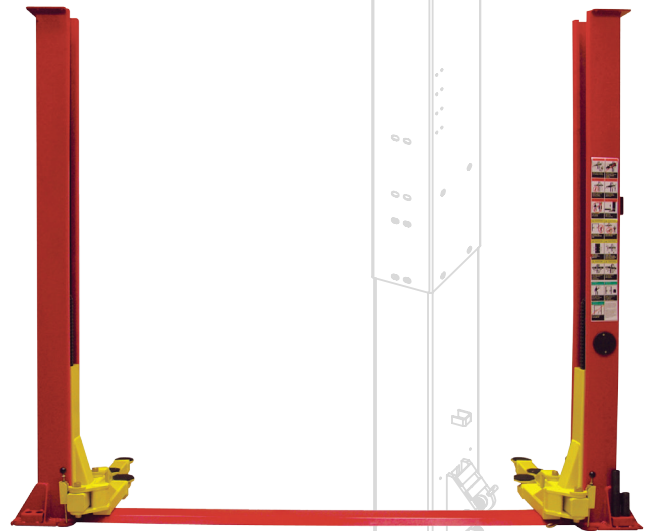


BASEPLATE TWO POST

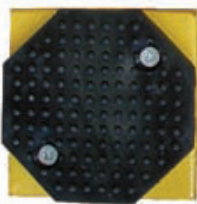
Capacity 9,000 lbs

- 9,000 lb. (4,082 kg.) symmetric style
- Heavy duty columns for 10 ft. (3048 mm) "Low ceiling" applications
- Twin hydraulic cylinders with 1¼" high tensile Leaf chain and low profile floor-plate cable equalization
- Galvanized pre stretched cables – steel pulleys and mechanical carriage locks every 3 inches contribute to low maintenance and safe operation
- 3 piece stack pad lift system with convenient storage bracket on each column
- Powerpack can be mounted on driver or passenger side for individual application
- Single point safety lock release and two hand lift lowering for added safety
- 230v - 1 phase - 60 hz - 20 amp power required (Optional 230v - 3 phase powerpack available)

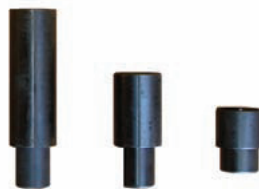


Model Number TLS29BPNRx1

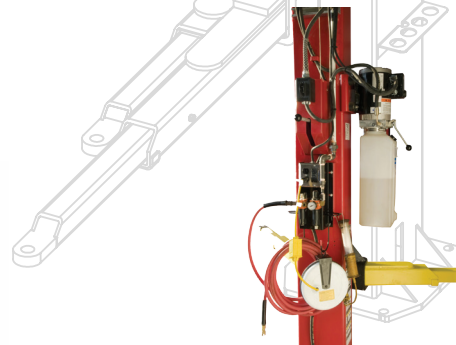
Available Accessories



**Outer Arm Adapter
TLS2PHA**

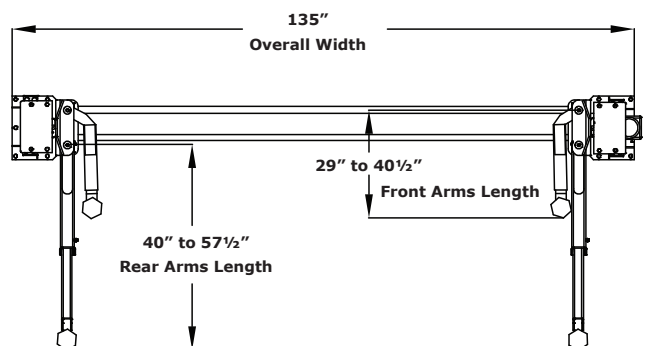
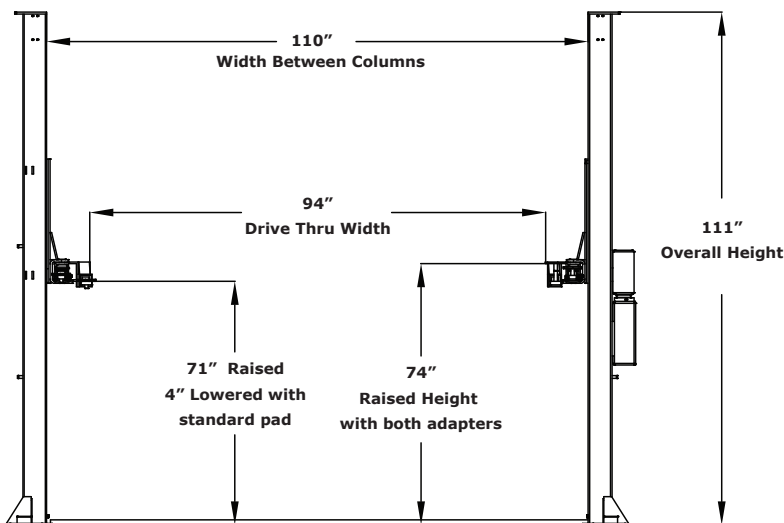


**1½" - 3" - 6" Height Adapters
TLS2PSPA136**



**Air - Electric Station
TLS2AES**

BASEPLATE TWO POST - SPECIFICATIONS	TLS29BPNRx1	
Capacity	9,000 lbs	4082 kg
Overall Width	135"	3429 mm
Width Between Columns	110"	2794 mm
Drive Thru Width	94"	2388 mm
Overall Height	111"	2819 mm
Lowered Height - Standard Lift Pad	4"	102 mm
Raised Height - Standard Lift Pad	71"	1803 mm
Raised Height with adapters	74"	1880 mm
Front Arm Length	29" to 40 ^{1/2} "	737 to 1029 mm
Rear Arm Length	40" to 57 ^{1/2} "	1016 to 1416 mm
Lift Time	50 seconds	
Power Requirements	230 Volts AC - 60 Hz - 1 Ph - 20 Amp	
Shipping Weight	1,385 lbs	628 kg



Total Automotive Lifting Solutions Inc.

