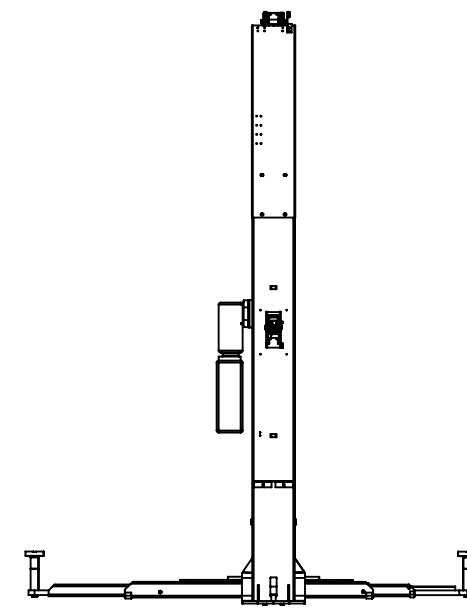
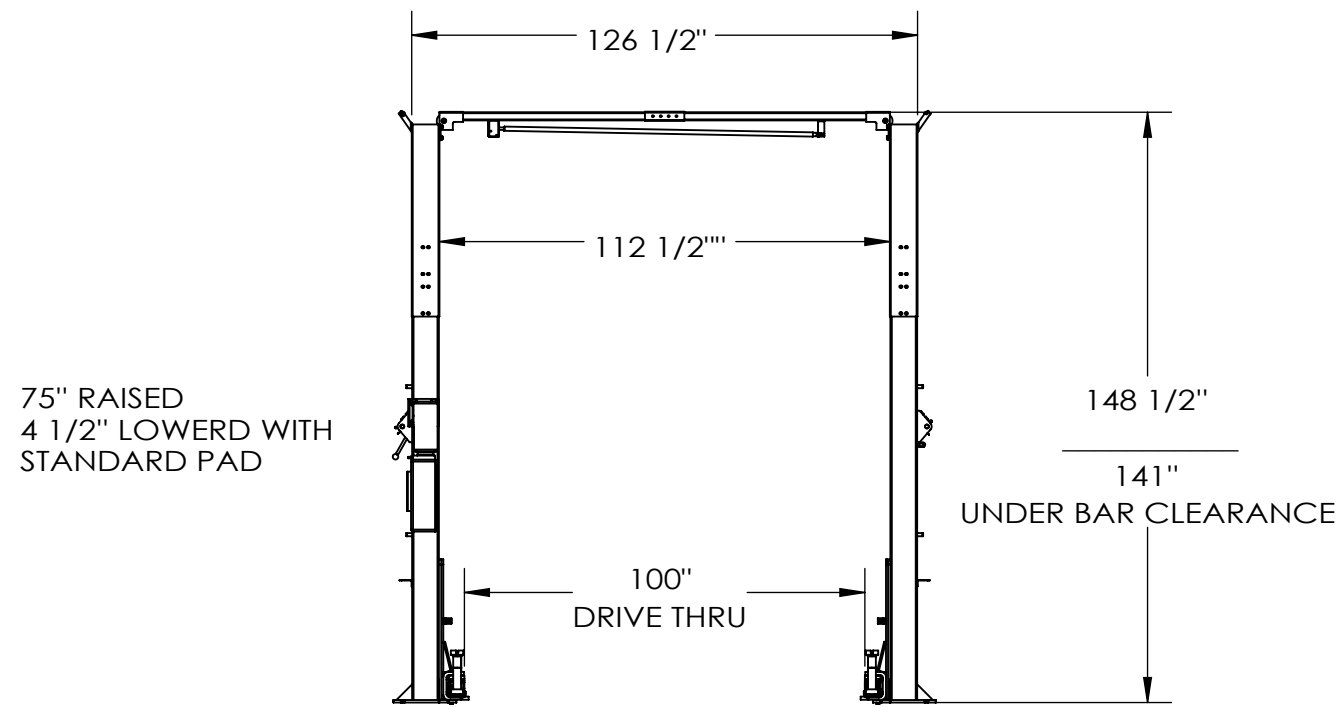
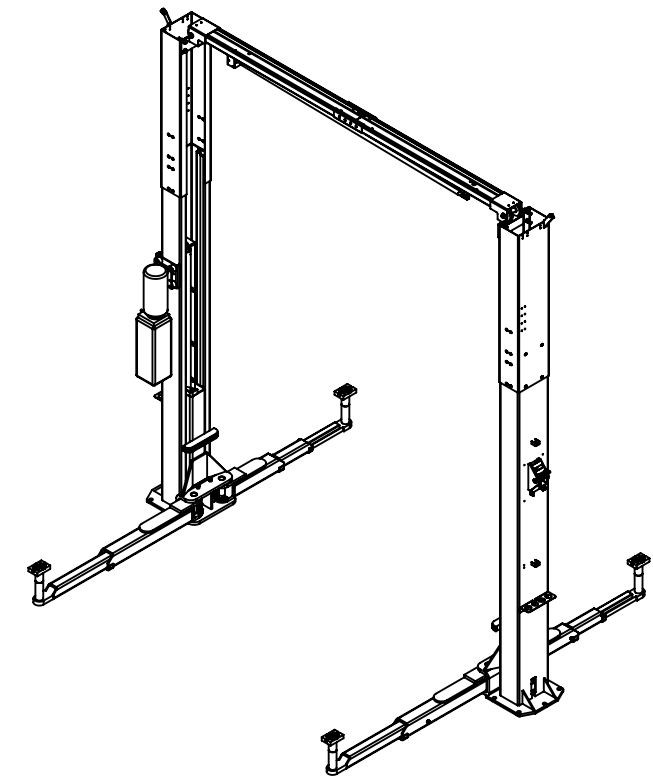
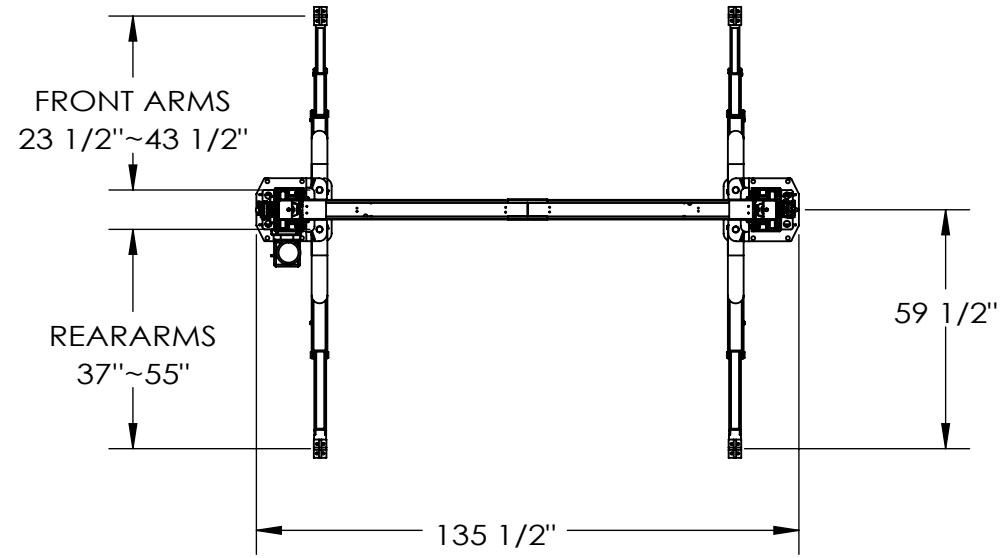


8 7 6 5 4 3 2 1



UNLESS OTHERWISE SPECIFIED:
DIMENSIONS ARE IN [MM] INCHS

TOLERANCES:
FRACTIONAL: $\pm[1.5] 1/16"$
ANGLE: MACH $\pm 1/2^\circ$ BEND $\pm 1^\circ$
X.X" (1 DECIMAL): $\pm[3] 0.1"$
X.XX" (2 DECIMAL): $\pm[1] 0.03"$
X.XXX" (3 DECIMAL): $\pm[0.5] 0.010"$
GEOMETRIC TOLERANCING PER:
ASME Y.14.5M-1994

MATERIAL
FINISH
DO NOT SCALE DRAWING



PROPRIETARY AND CONFIDENTIAL
THE INFORMATION CONTAINED IN THIS DRAWING IS THE SOLE PROPERTY OF TOTAL AUTOMOTIVE LIFTING SOLUTIONS INC. (TLS). ANY REPRODUCTION IN PART OR AS A WHOLE WITHOUT THE WRITTEN PERMISSION OF TLS IS PROHIBITED.

	NAME	DATE
DRAWN	S.Z.	11/01/2013
CHECKED		
APPROVED		

TOTAL AUTOMOTIVE LIFTING SOLUTIONS INC.
(905)847-1198 FAX (905)891-1214
www.TLSLifts.com

MODEL: TLS210MXx1

CAPACITY: 10,000LBS

SIZE	PART#	REV.
B	ALT. PART#	

SCALE: 1:48

SHEET 1 OF 1

10K 2 POST, MULTI-SYMMETRIC EXTENDED

8 7 6 5 4 3 2 1