

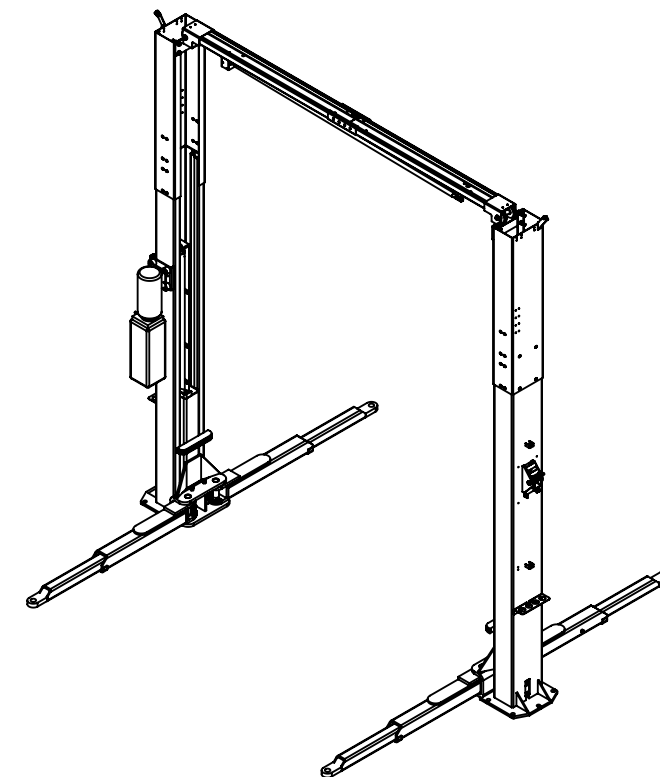
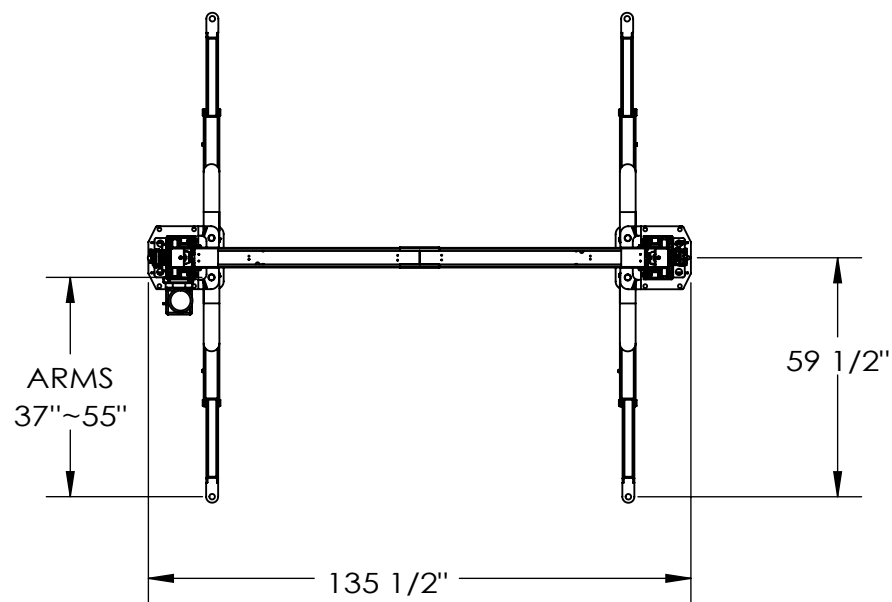
8 7 6 5 4 3 2 1

D

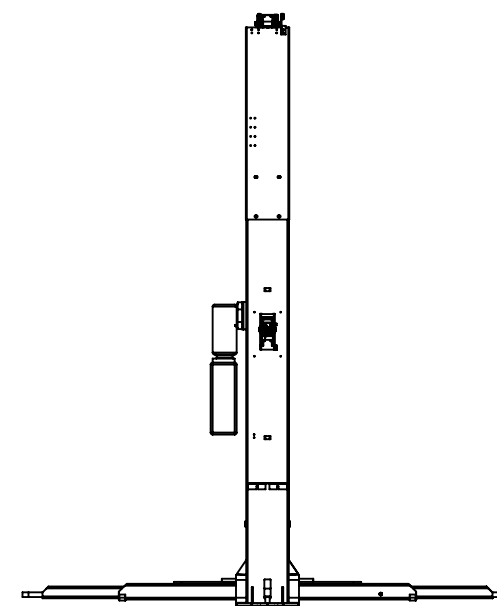
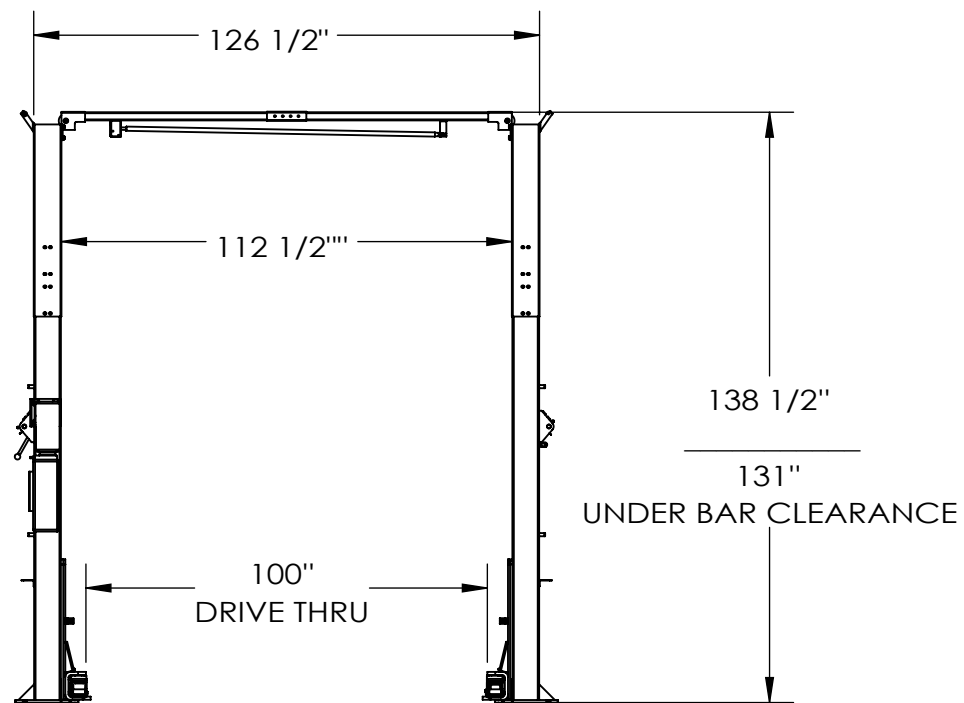
C

B

A



75" RAISED
4 1/2" LOWERD WITH
STANDARD PAD



UNLESS OTHERWISE SPECIFIED:
DIMENSIONS ARE IN [MM] INCHS

TOLERANCES:
FRACTIONAL: ±[1.5] 1/16"
ANGLE: MACH ±1/2° BEND ±1°
X.X" (1 DECIMAL): ±[3] 0.1"
X.XX" (2 DECIMAL): ±[1] 0.03"
X.XXX" (3 DECIMAL): ±[0.5] 0.010"

GEOMETRIC TOLERANCING PER:
ASME Y.14.5M-1994

MATERIAL

FINISH

DO NOT SCALE DRAWING



PROPRIETARY AND CONFIDENTIAL
THE INFORMATION CONTAINED IN THIS
DRAWING IS THE SOLE PROPERTY OF TOTAL
AUTOMOTIVE LIFTING SOLUTIONS INC. (TLS).
ANY REPRODUCTION IN PART OR AS A
WHOLE WITHOUT THE WRITTEN PERMISSION
OF TLS IS PROHIBITED.

	NAME	DATE
DRAWN	S.Z.	11/01/2013
CHECKED		
APPROVED		

**TOTAL AUTOMOTIVE LIFTING
SOLUTIONS INC.**
(905)847-1198 FAX (905)891-1214
www.TLSLifts.com

MODEL: TLS210SRx1

CAPACITY: 10,000LBS

SIZE	PART#	REV.
B	ALT. PART#	

SCALE: 1:48

SHEET 1 OF 1

10K 2 POST SYMMETRIC REGULAR

8

7

6

5

4

3

2

1