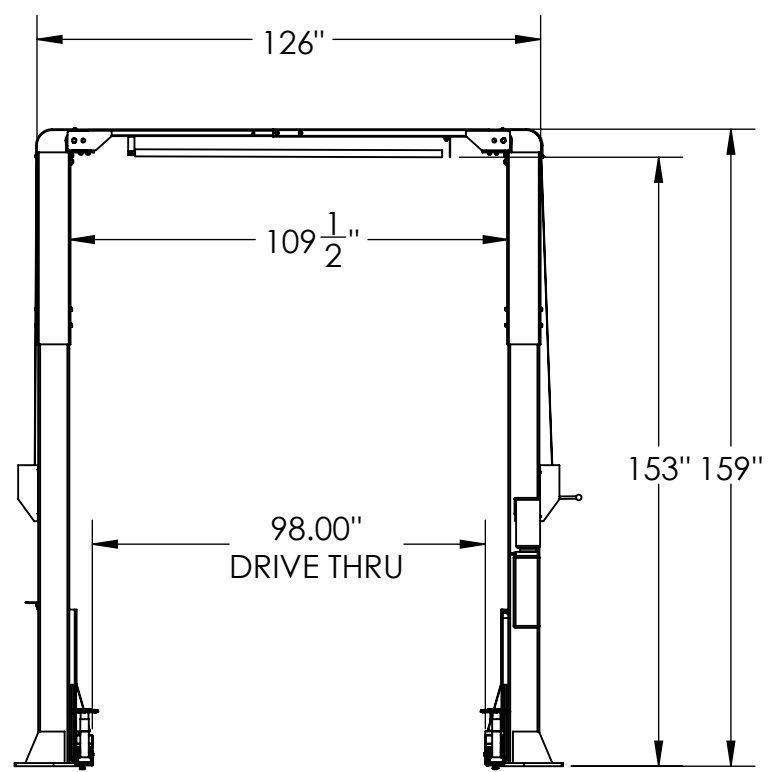
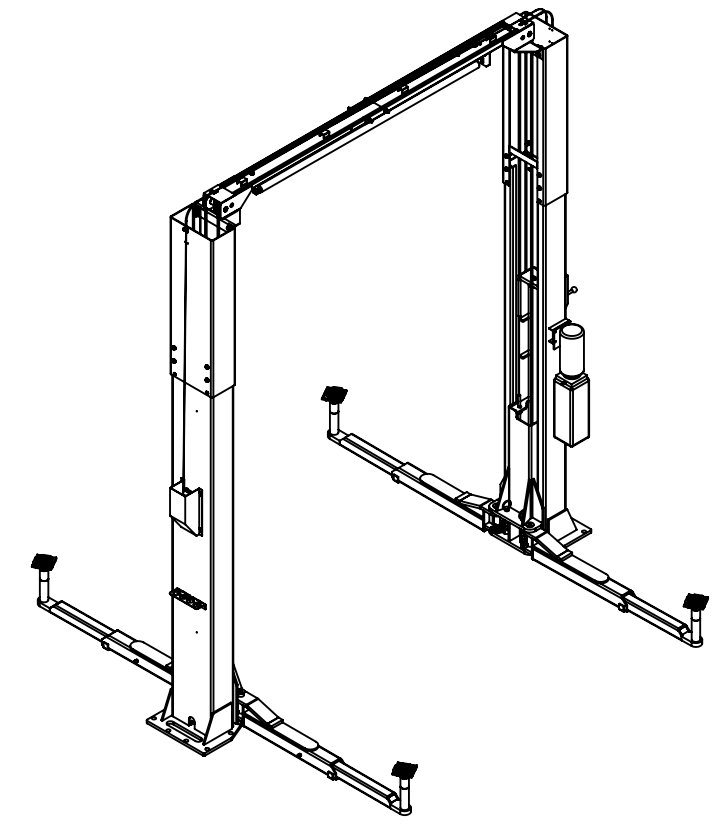
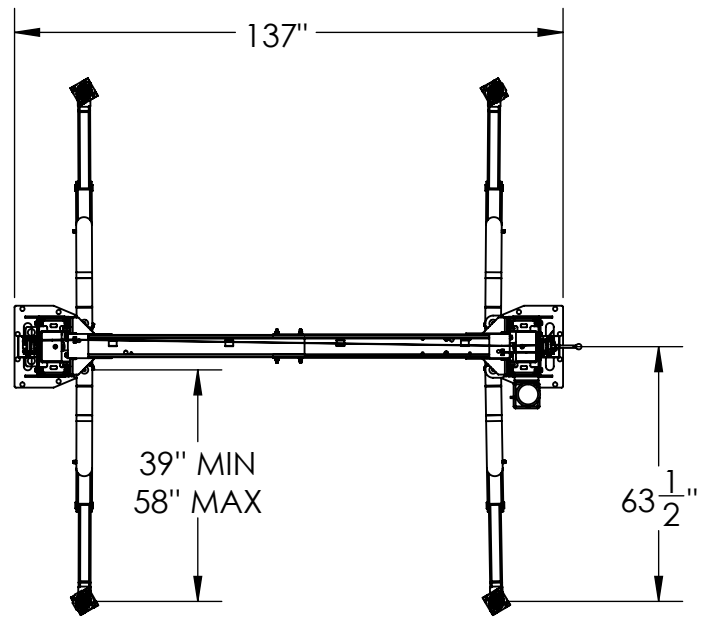
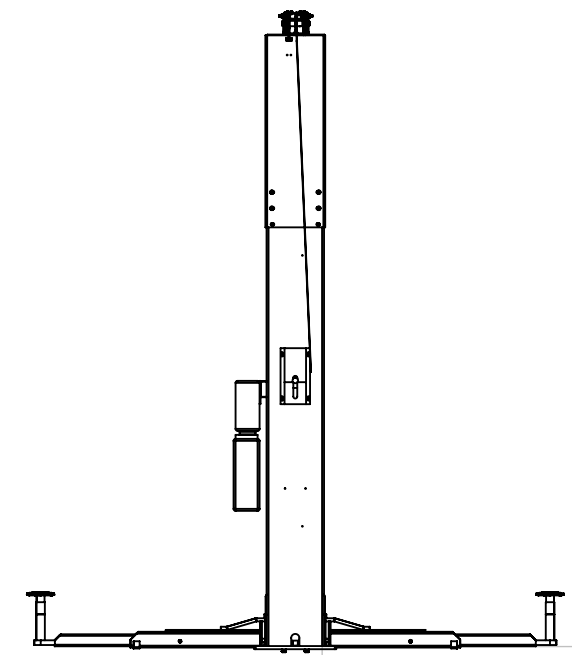


8 7 6 5 4 3 2 1



75" RAISED
4.5" LOWERED
W/ STANDARD PADS

84" RAISED
13.5" LOWERED
W/ 3" AND 6" EXTENSIONS



UNLESS OTHERWISE SPECIFIED:
DIMENSIONS ARE IN [MM] INCHS

TOLERANCES:
FRACTIONAL: ±[1.5] 1/16"
ANGLE: MACH ±1/2° BEND ±1°
X.X" (1 DECIMAL): ±[3] 0.1"
X.XX" (2 DECIMAL): ±[1] 0.03"
X.XXX" (3 DECIMAL): ±[0.5] 0.010"

GEOMETRIC TOLERANCING PER:
ASME Y.14.5M-1994

MATERIAL

FINISH

DO NOT SCALE DRAWING



PROPRIETARY AND CONFIDENTIAL
THE INFORMATION CONTAINED IN THIS DRAWING IS THE SOLE PROPERTY OF TOTAL AUTOMOTIVE LIFTING SOLUTIONS INC. (TLS). ANY REPRODUCTION IN PART OR AS A WHOLE WITHOUT THE WRITTEN PERMISSION OF TLS IS PROHIBITED.

TOTAL AUTOMOTIVE LIFTING SOLUTIONS INC.
(905)847-1198 FAX (905)891-1214
www.TLSLifts.com

MODEL: TLS212SRx1		CAPACITY: 12,000LBS	
SIZE	PART#	REV.	
B	ALT. PART#		
SCALE: 1:48		SHEET 1 OF 1	

8 7 6 5 4 3 2 1 12K 2 POST SYMMETRIC