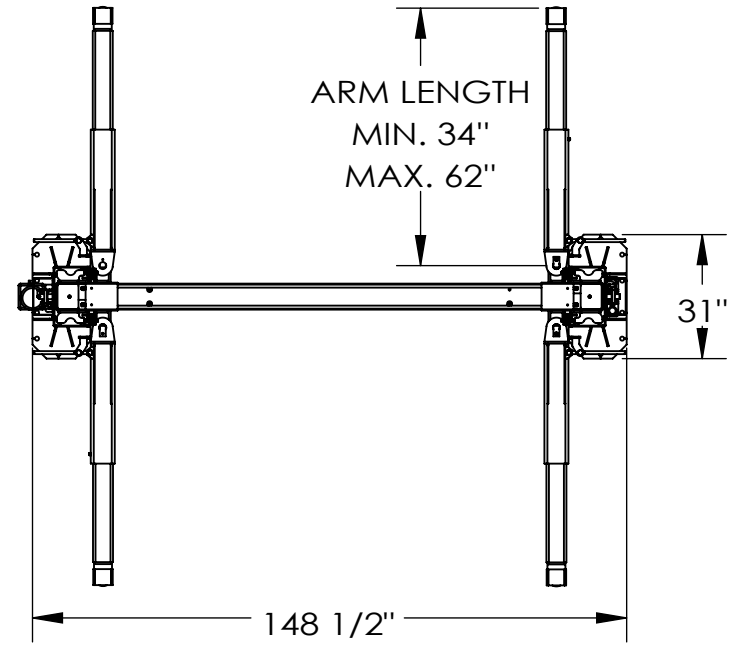


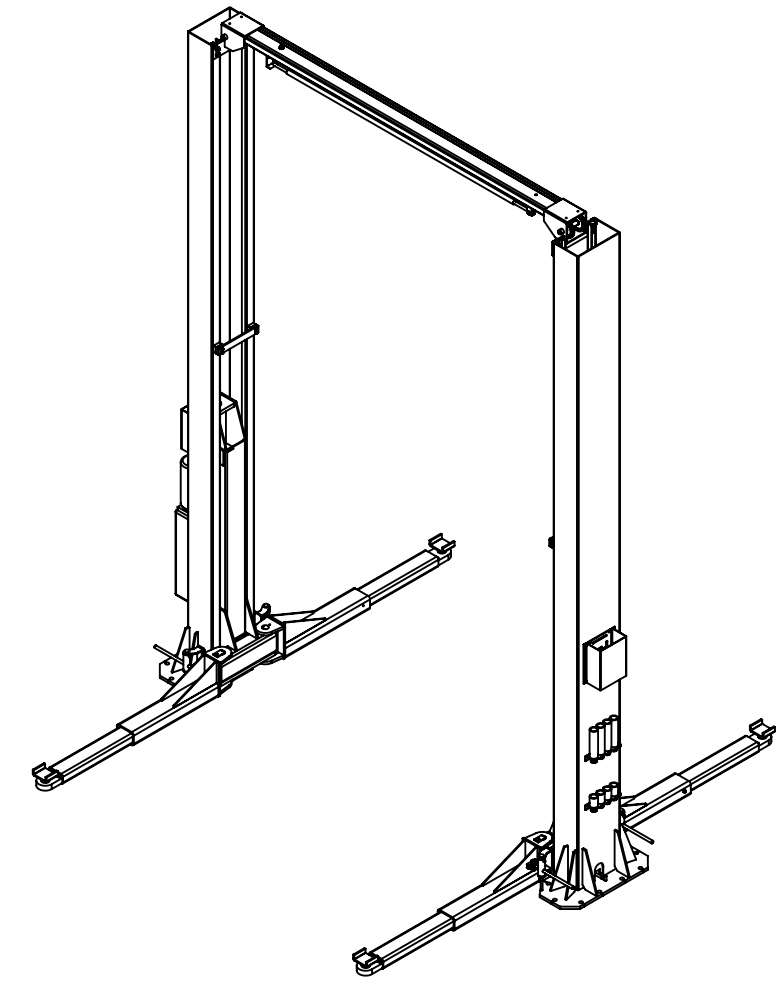
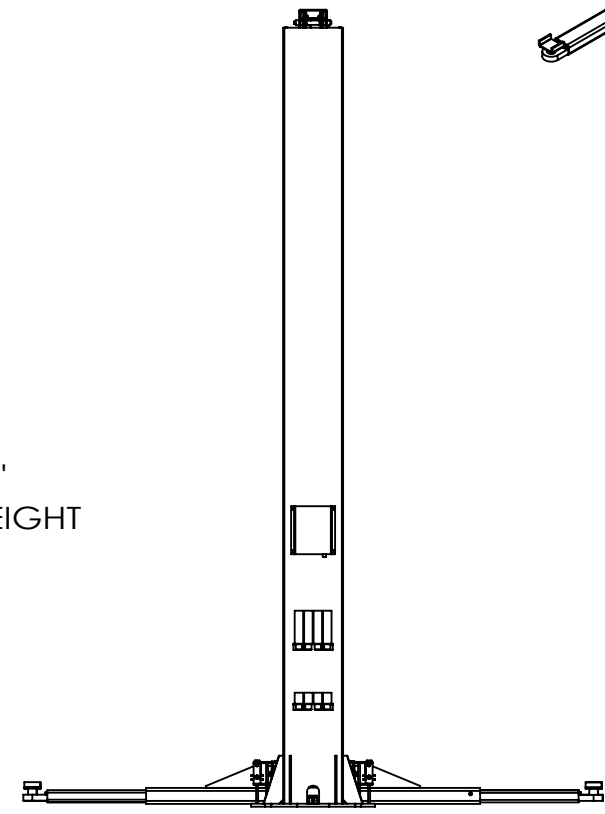
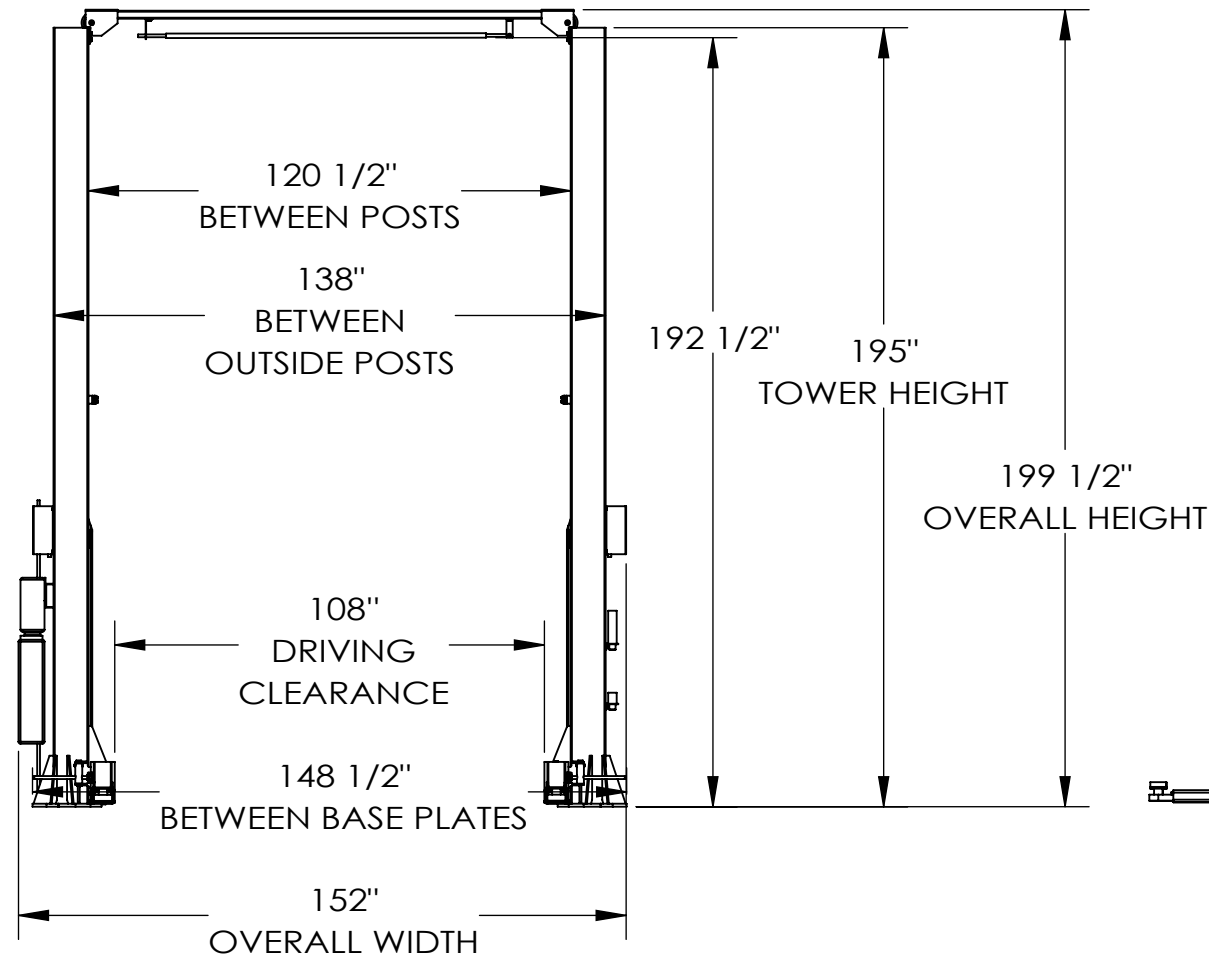
8 7 6 5 4 3 2 1

D  
C  
B  
A

D  
C  
B  
A



RAISE HEIGHT:  
76" W/ STAND PADS  
80" W/ MEDIUM PADS  
85" W/ LONG PADS



UNLESS OTHERWISE SPECIFIED:  
DIMENSIONS ARE IN [MM] INCHS

**TOLERANCES:**  
FRACTIONAL:  $\pm[1.5] 1/16"$   
ANGLE: MACH  $\pm 1/2^\circ$  BEND  $\pm 1^\circ$   
X.X" (1 DECIMAL):  $\pm[3] 0.1"$   
X.XX" (2 DECIMAL):  $\pm[1] 0.03"$   
X.XXX" (3 DECIMAL):  $\pm[0.5] 0.010"$   
**GEOMETRIC TOLERANCING PER:**  
ASME Y.14.5M-1994



**PROPRIETARY AND CONFIDENTIAL**  
THE INFORMATION CONTAINED IN THIS DRAWING IS THE SOLE PROPERTY OF TOTAL AUTOMOTIVE LIFTING SOLUTIONS INC. (TLS). ANY REPRODUCTION IN PART OR AS A WHOLE WITHOUT THE WRITTEN PERMISSION OF TLS IS PROHIBITED.

**TOTAL AUTOMOTIVE LIFTING SOLUTIONS INC.**  
(905)847-1198 FAX (905)891-1214  
[www.TLSLifts.com](http://www.TLSLifts.com)

MATERIAL	NAME	DATE
FINISH	DRAWN	S.Z. 11/01/2013
	CHECKED	
DO NOT SCALE DRAWING	APPROVED	

REV.	SIZE	PART#
	<b>B</b>	ALT. PART#

MODEL:	TLS216SRx1	
CAPACITY:	16,000LBS	
SCALE:	1:48	SHEET 1 OF 1

8 7 6 5 4 3 2 1