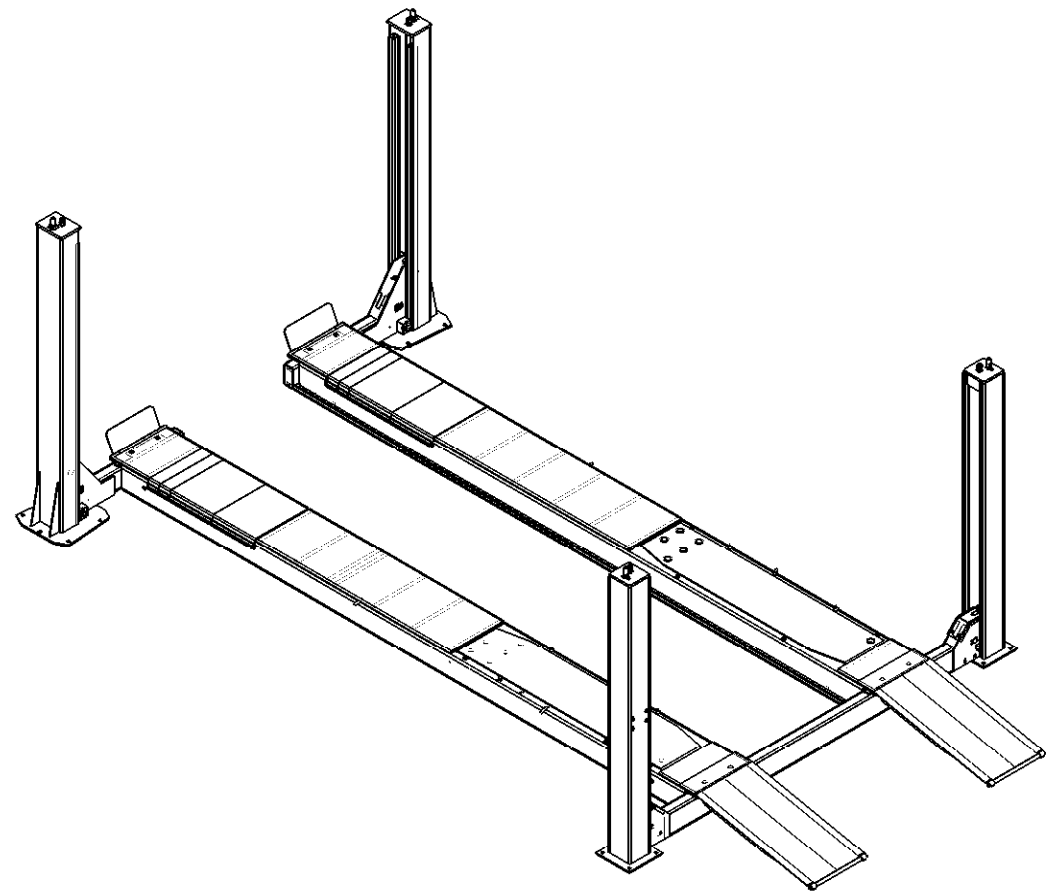
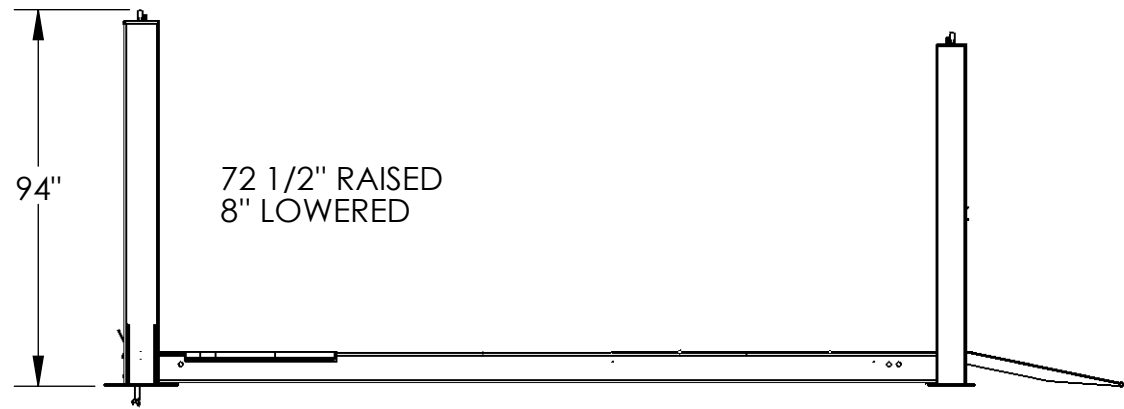


8 7 6 5 4 3 2 1

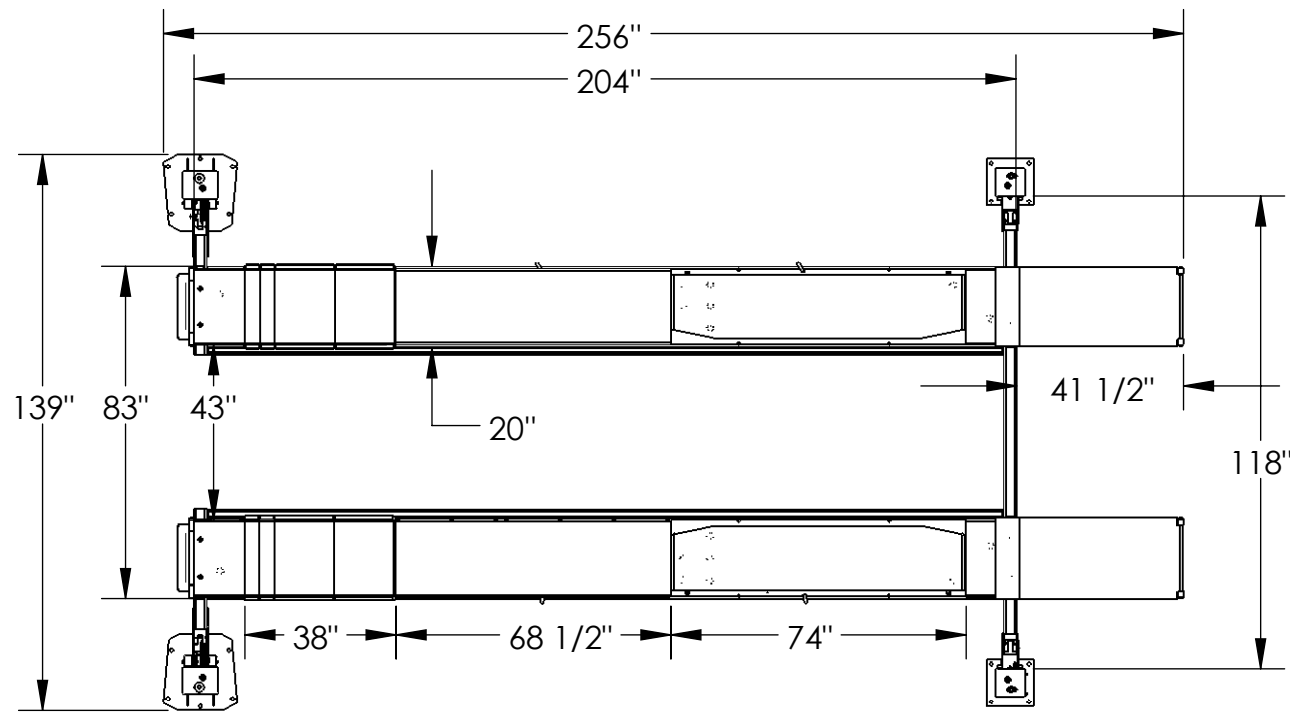
D

D



C

C



B

B

A

A

UNLESS OTHERWISE SPECIFIED:
DIMENSIONS ARE IN [MM] INCHS

TOLERANCES:
 FRACTIONAL: ±[1.5] 1/16"
 ANGLE: MACH ±1/2° BEND ±1°
 X.X" (1 DECIMAL): ±[3] 0.1"
 X.XX" (2 DECIMAL): ±[1] 0.03"
 X.XXX" (3 DECIMAL): ±[0.5] 0.010"
GEOMETRIC TOLERANCING PER:
 ASME Y.14.5M-1994



PROPRIETARY AND CONFIDENTIAL
 THE INFORMATION CONTAINED IN THIS DRAWING IS THE SOLE PROPERTY OF TOTAL AUTOMOTIVE LIFTING SOLUTIONS INC. (TLS). ANY REPRODUCTION IN PART OR AS A WHOLE WITHOUT THE WRITTEN PERMISSION OF TLS IS PROHIBITED.

TOTAL AUTOMOTIVE LIFTING SOLUTIONS INC.
 (905)847-1198 FAX (905)891-1214
www.TLSLifts.com

MODEL: TLS414ALORx1

CAPACITY: 14,000LBS

MATERIAL

FINISH

DO NOT SCALE DRAWING

NAME	DATE
S.Z.	11/12/2012
CHECKED	
APPROVED	

SIZE	PART#	REV.
B	ALT. PART#	
SCALE: 1:48	SHEET 1 OF 1	

8 7 6 5 4 3 2 1