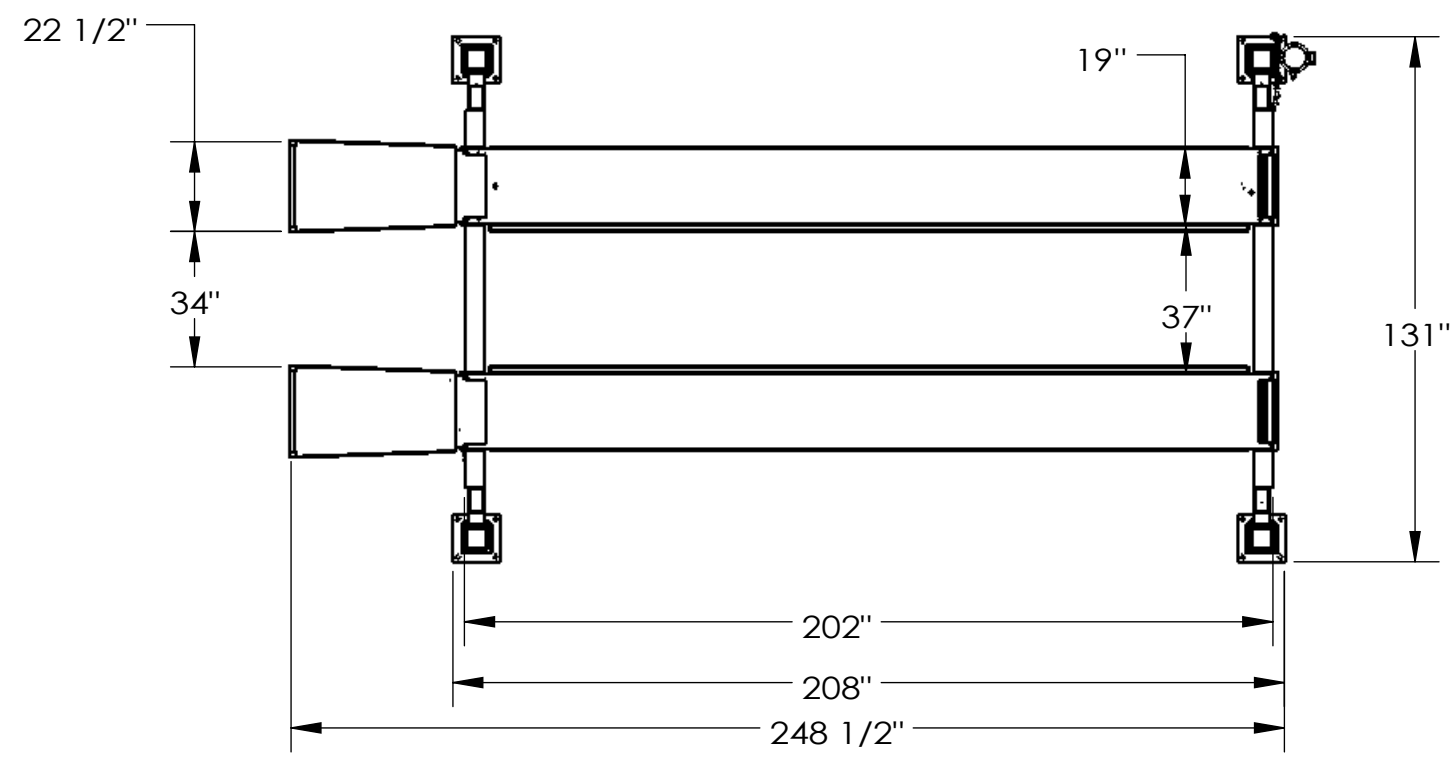
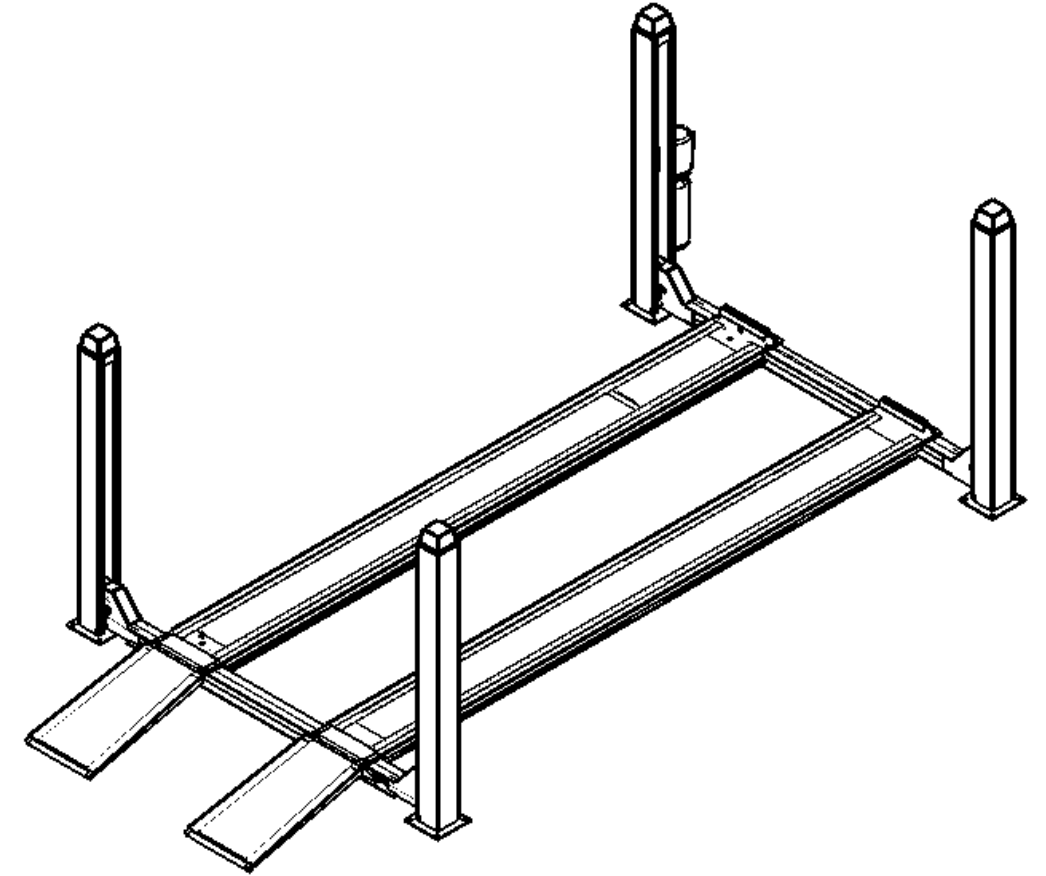
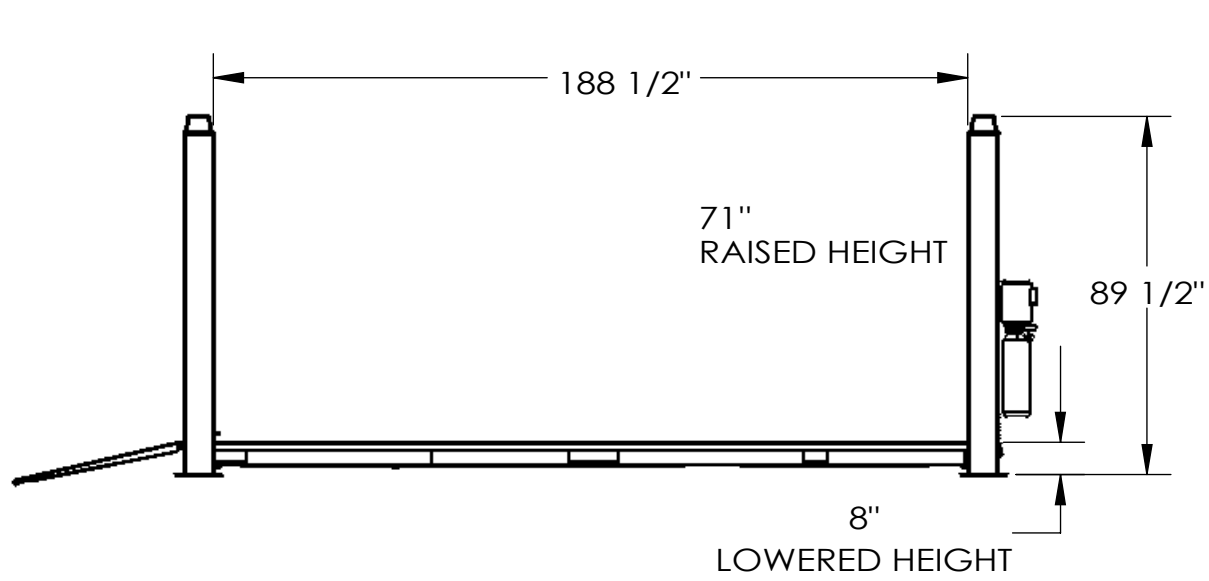


8 7 6 5 4 3 2 1

D
C
B
A

D
C
B
A



UNLESS OTHERWISE SPECIFIED:
DIMENSIONS ARE IN [MM] INCHS

TOLERANCES:
 FRACTIONAL: ±[1.5] 1/16"
 ANGLE: MACH ±1/2° BEND ±1°
 X.X" (1 DECIMAL): ±[3] 0.1"
 X.XX" (2 DECIMAL): ±[1] 0.03"
 X.XXX" (3 DECIMAL): ±[0.5] 0.010"

GEOMETRIC TOLERANCING PER:
 ASME Y.14.5M-1994



PROPRIETARY AND CONFIDENTIAL
 THE INFORMATION CONTAINED IN THIS DRAWING IS THE SOLE PROPERTY OF TOTAL AUTOMOTIVE LIFTING SOLUTIONS INC. (TLS). ANY REPRODUCTION IN PART OR AS A WHOLE WITHOUT THE WRITTEN PERMISSION OF TLS IS PROHIBITED.

TOTAL AUTOMOTIVE LIFTING SOLUTIONS INC.
 (905)847-1198 FAX (905)891-1214
www.TLSLifts.com

MODEL: TLS414FDCRx1

CAPACITY: 14,000LBS

MATERIAL

FINISH

DO NOT SCALE DRAWING

NAME	DATE
S.Z.	27/12/2012
CHECKED	
APPROVED	

SIZE	PART#	REV.
B	ALT. PART#	
SCALE: 1:48		WEIGHT: lbs
		SHEET 1 OF 1

8 7 6 5 4 3 2 1