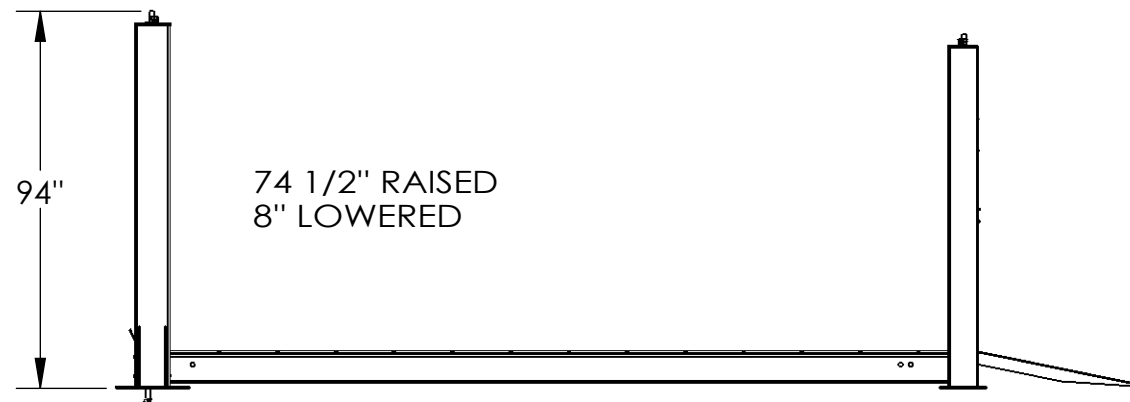
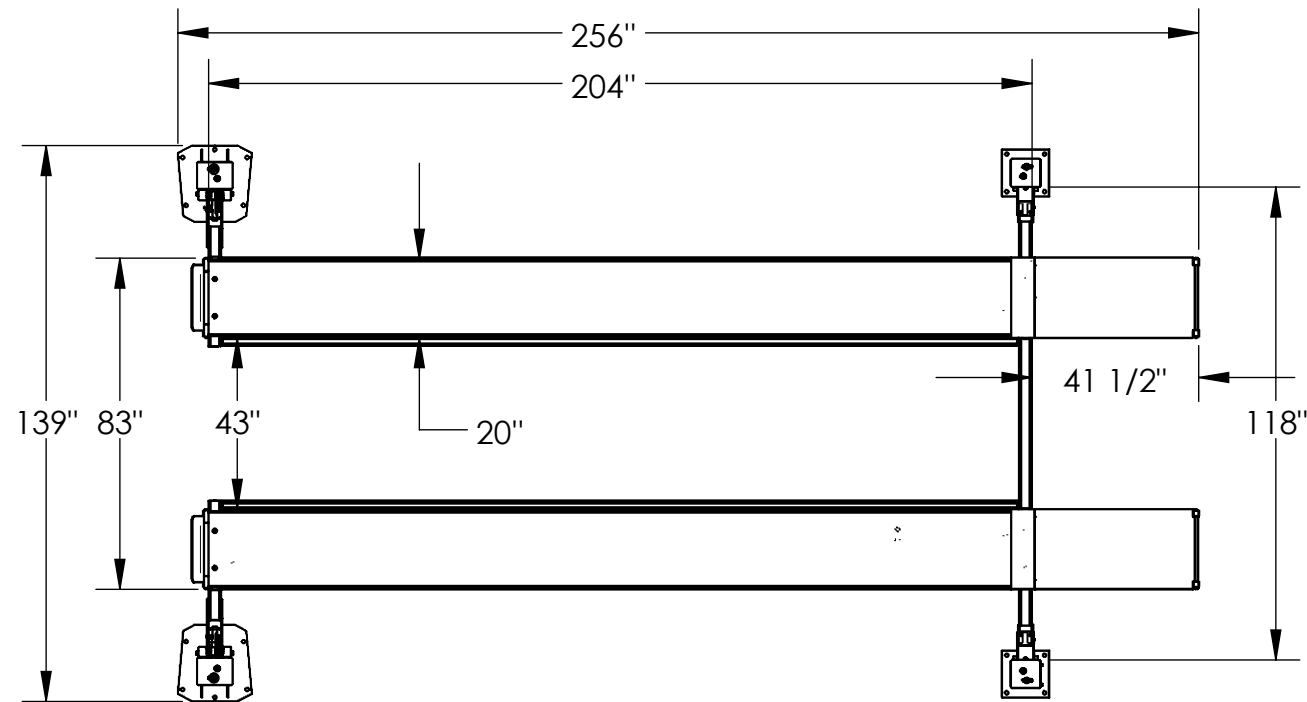


8 7 6 5 4 3 2 1

D

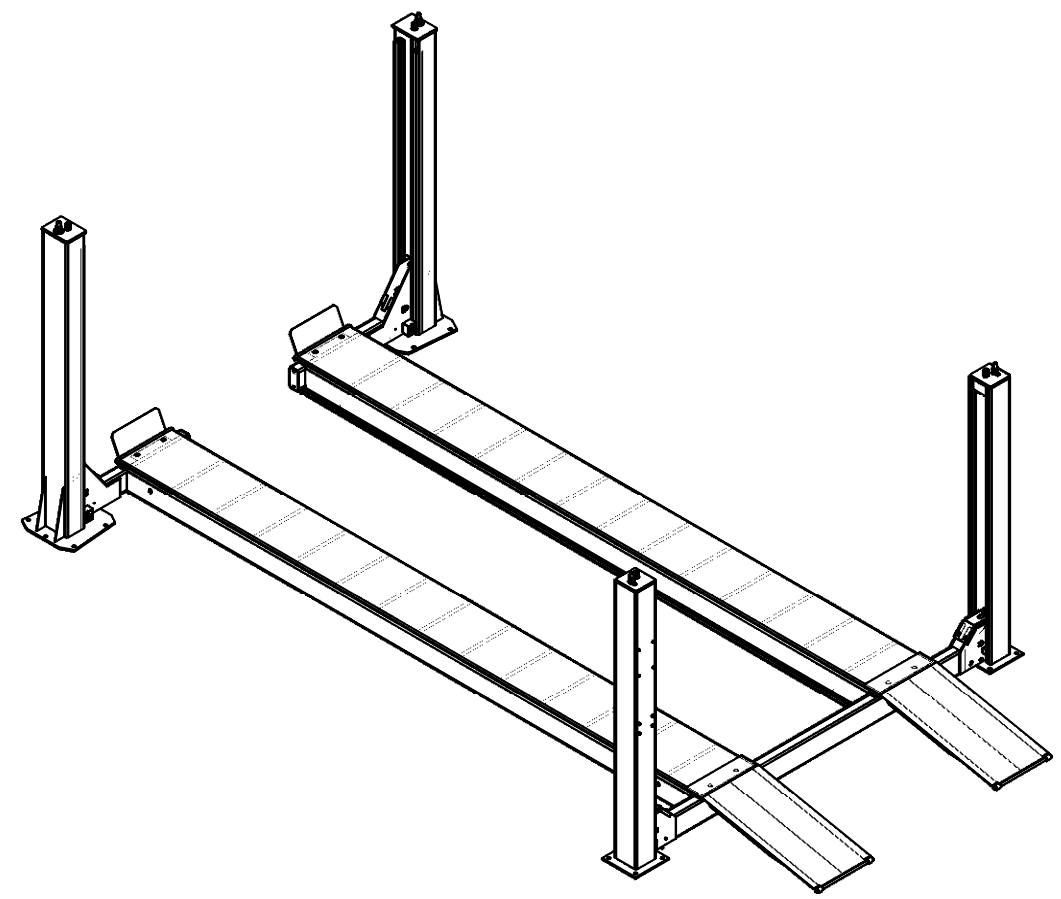


C



B

A



D

C

B

A

8 7 6 5 4 3 2 1

UNLESS OTHERWISE SPECIFIED:
DIMENSIONS ARE IN [MM] INCHS

TOLERANCES:
FRACTIONAL: $\pm[1.5] 1/16"$
ANGLE: MACH $\pm 1/2^\circ$ BEND $\pm 1^\circ$
X.X" (1 DECIMAL): $\pm[3] 0.1"$
X.XX" (2 DECIMAL): $\pm[1] 0.03"$
X.XXX" (3 DECIMAL): $\pm[0.5] 0.010"$
GEOMETRIC TOLERANCING PER:
ASME Y.14.5M-1994

MATERIAL
FINISH
DO NOT SCALE DRAWING



PROPRIETARY AND CONFIDENTIAL
THE INFORMATION CONTAINED IN THIS DRAWING IS THE SOLE PROPERTY OF TOTAL AUTOMOTIVE LIFTING SOLUTIONS INC. (TLS). ANY REPRODUCTION IN PART OR AS A WHOLE WITHOUT THE WRITTEN PERMISSION OF TLS IS PROHIBITED.

NAME	DATE
S.Z.	11/12/2012
CHECKED	
APPROVED	

TOTAL AUTOMOTIVE LIFTING SOLUTIONS INC.
(905)847-1198 FAX (905)891-1214
www.TLSLifts.com

MODEL: TLS414FDORx1

CAPACITY: 14,000LBS

SIZE	PART#	REV.
B	ALT. PART#	

SCALE: 1:48 SHEET 1 OF 1

14K 4 POST SERVICE STANDARD