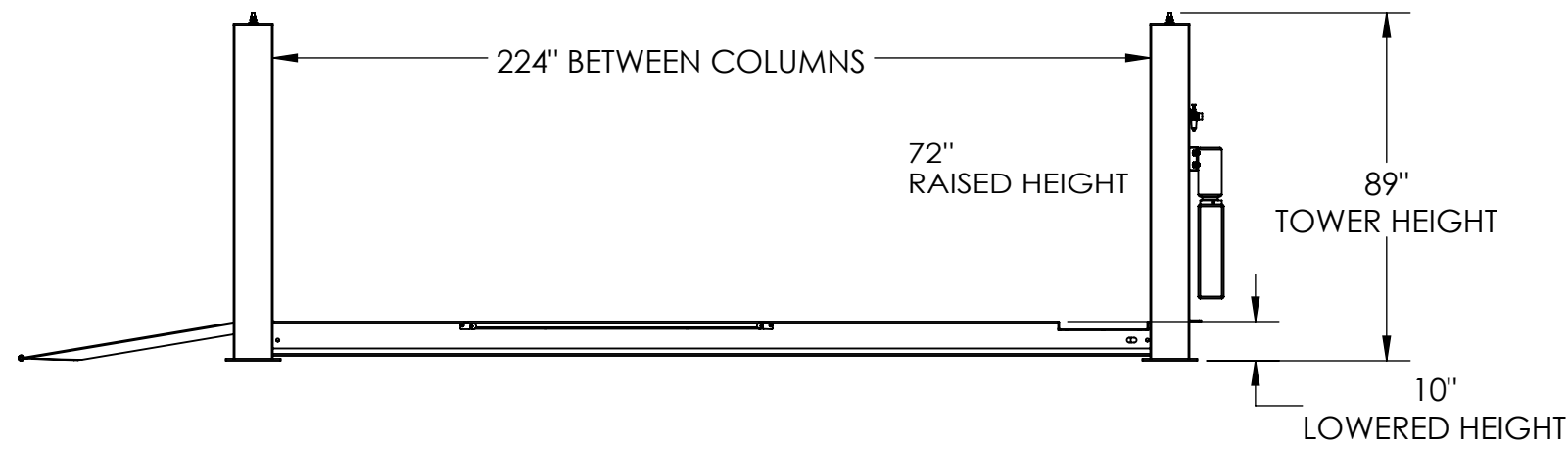


8 7 6 5 4 3 2 1

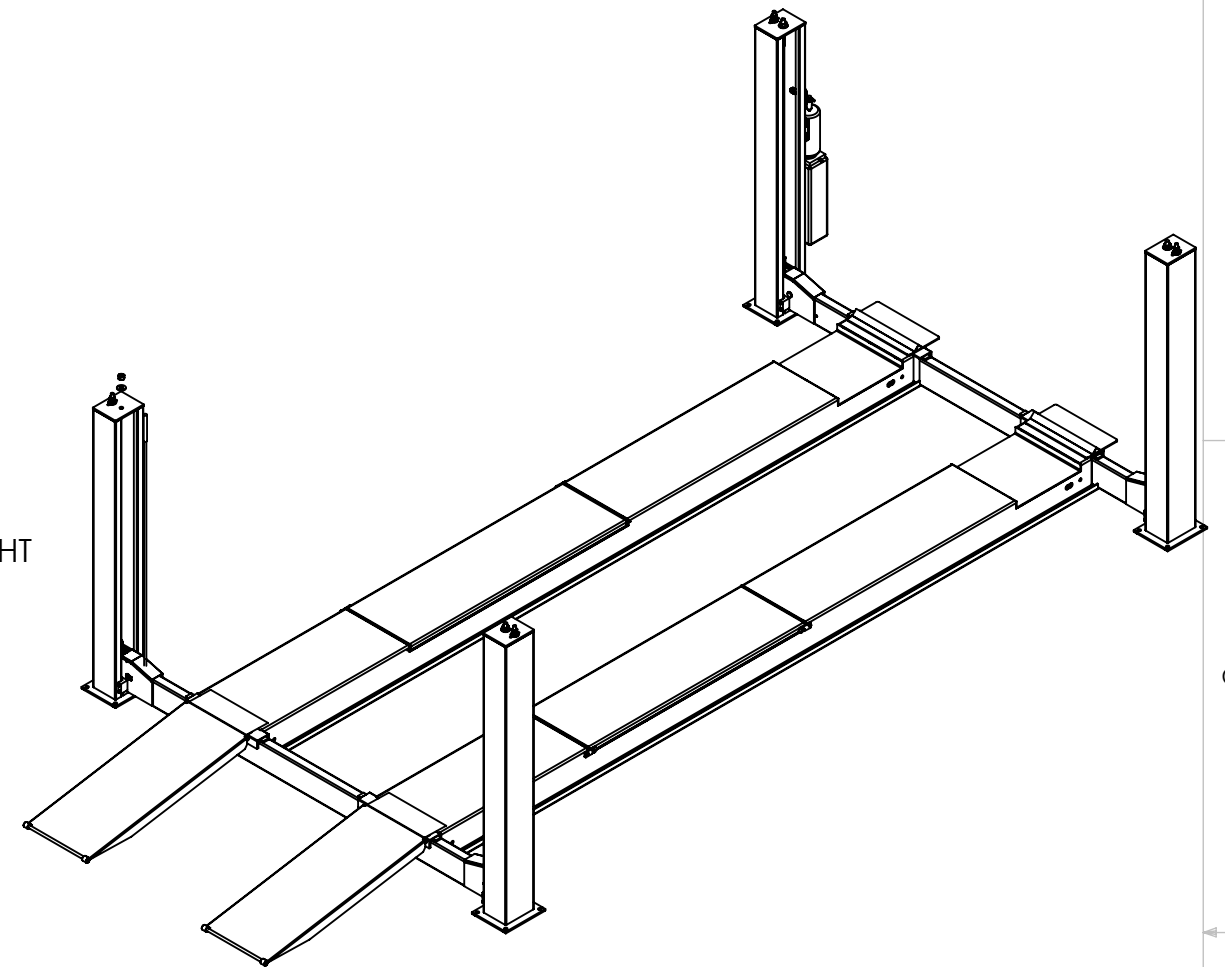
D

D



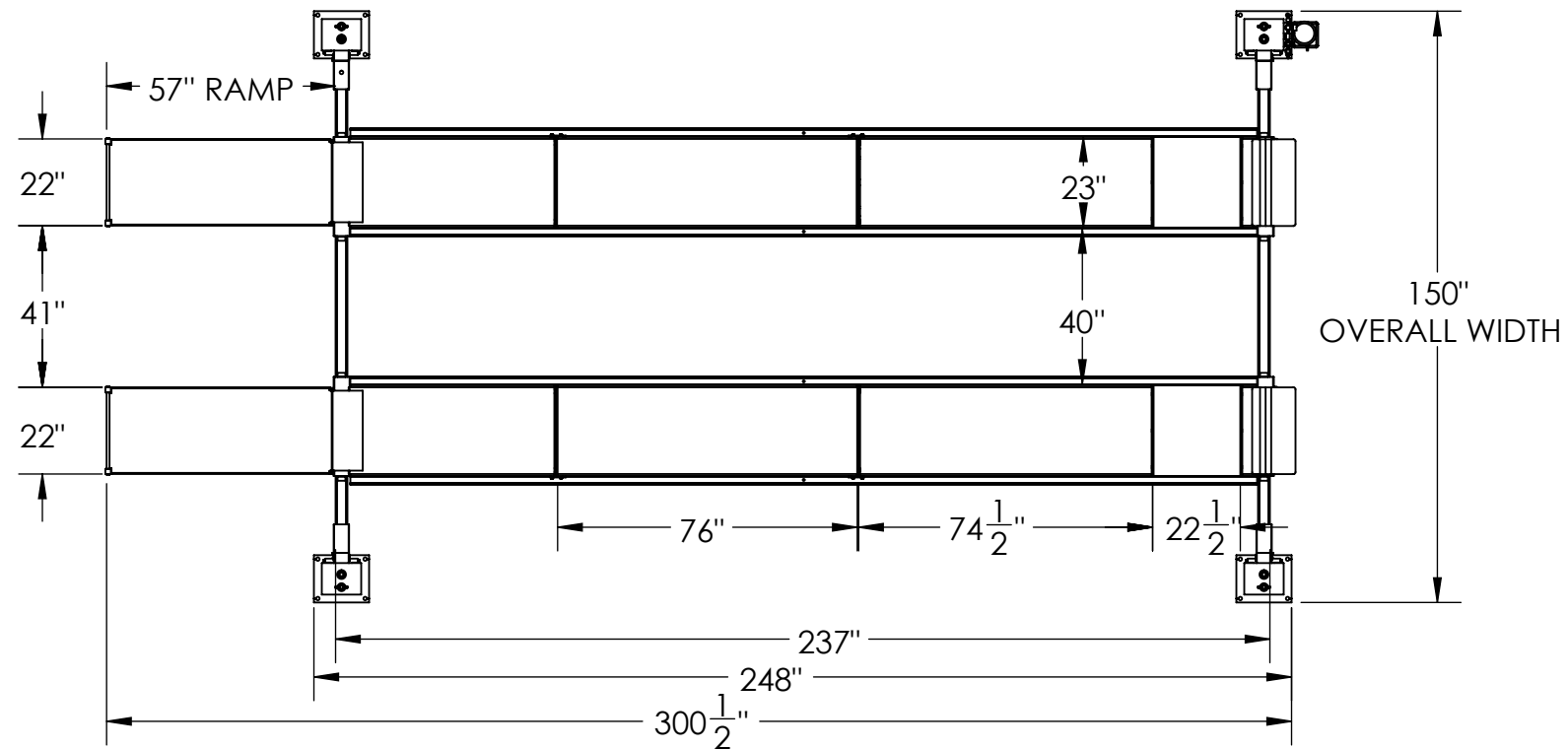
C

C



B

B



A

A

UNLESS OTHERWISE SPECIFIED:
DIMENSIONS ARE IN [MM] INCHS

TOLERANCES:
 FRACTIONAL: ±[1.5] 1/16"
 ANGLE: MACH ±1/2° BEND ±1°
 X.X" (1 DECIMAL): ±[3] 0.1"
 X.XX" (2 DECIMAL): ±[1] 0.03"
 X.XXX" (3 DECIMAL): ±[0.5] 0.010"
GEOMETRIC TOLERANCING PER:
 ASME Y.14.5M-1994



PROPRIETARY AND CONFIDENTIAL
 THE INFORMATION CONTAINED IN THIS DRAWING IS THE SOLE PROPERTY OF TOTAL AUTOMOTIVE LIFTING SOLUTIONS INC. (TLS). ANY REPRODUCTION IN PART OR AS A WHOLE WITHOUT THE WRITTEN PERMISSION OF TLS IS PROHIBITED.

TOTAL AUTOMOTIVE LIFTING SOLUTIONS INC.
 (905)847-1198 FAX (905)891-1214
www.TLSLifts.com

MODEL: TLS419ALCXx1

CAPACITY: 19,000LBS

MATERIAL

FINISH

DO NOT SCALE DRAWING

| | NAME | DATE |
|----------|------|------------|
| DRAWN | S.Z. | 11/01/2013 |
| CHECKED | | |
| APPROVED | | |

| SIZE | PART# | REV. |
|------|------------|------|
| B | ALT. PART# | |

SCALE: 1:48 SHEET 1 OF 1

8 7 6 5 4 3 2 1