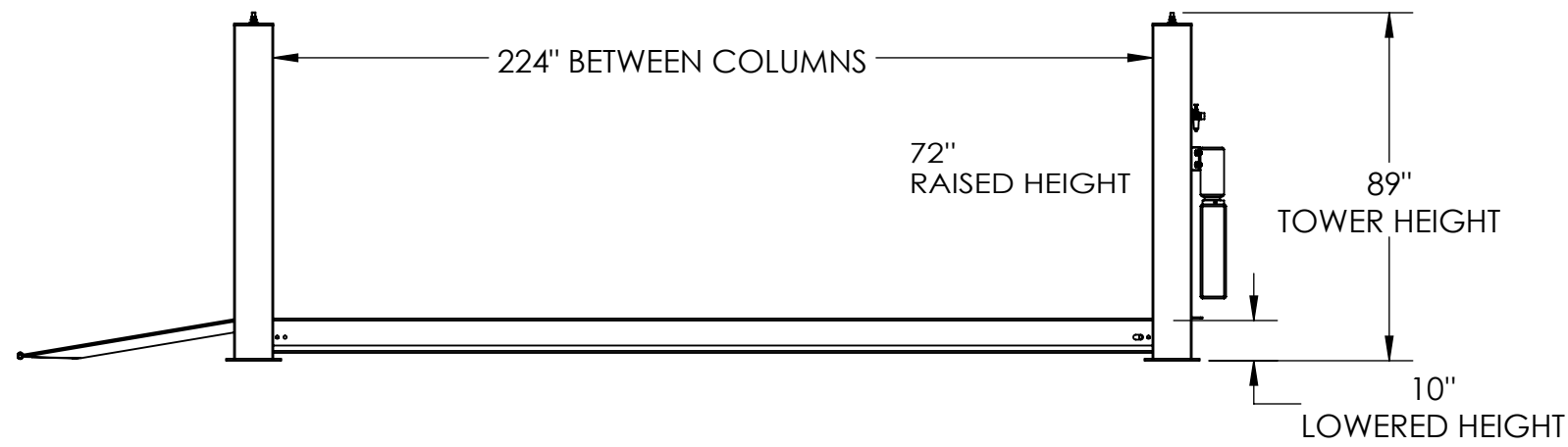


8 7 6 5 4 3 2 1

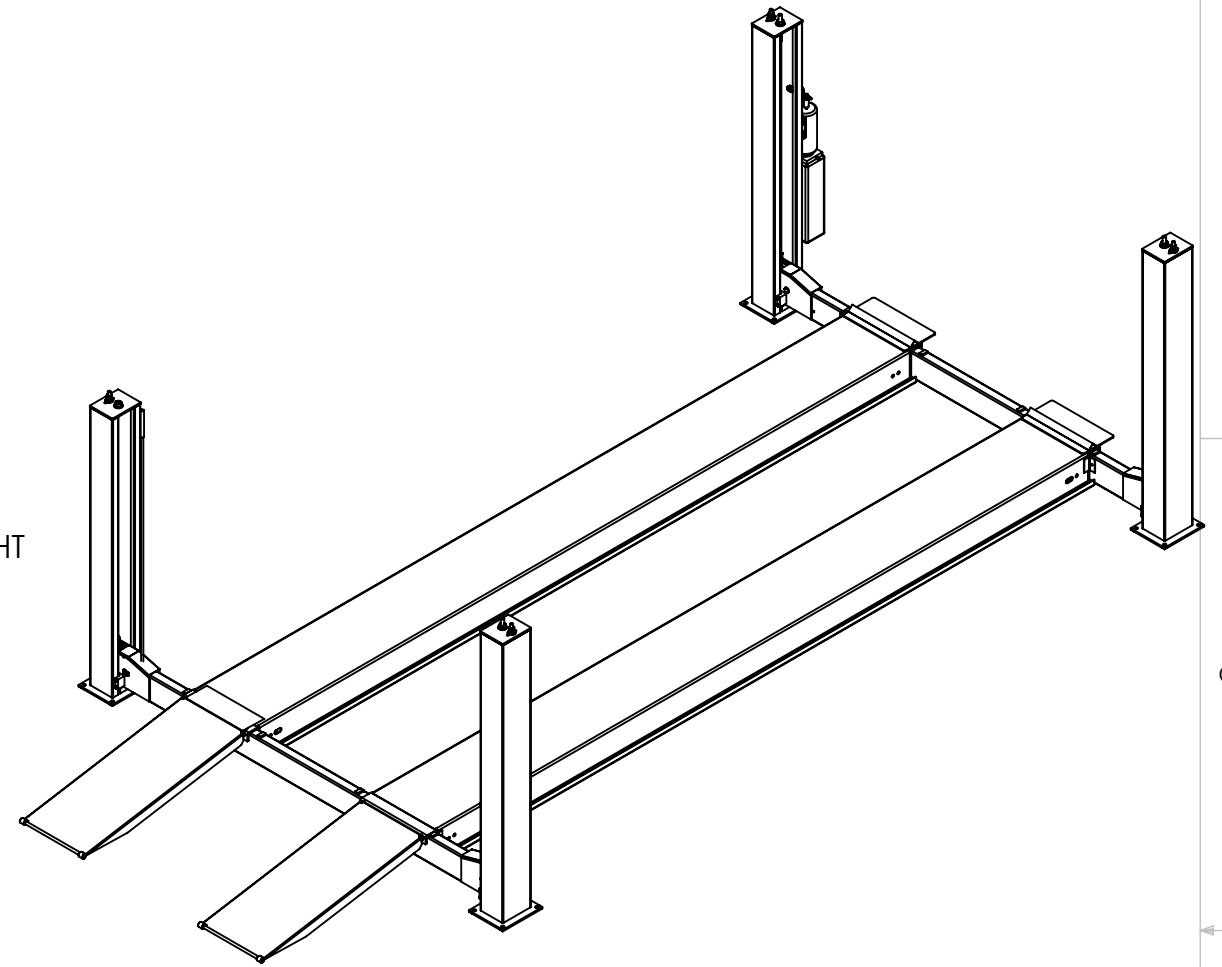
D

D



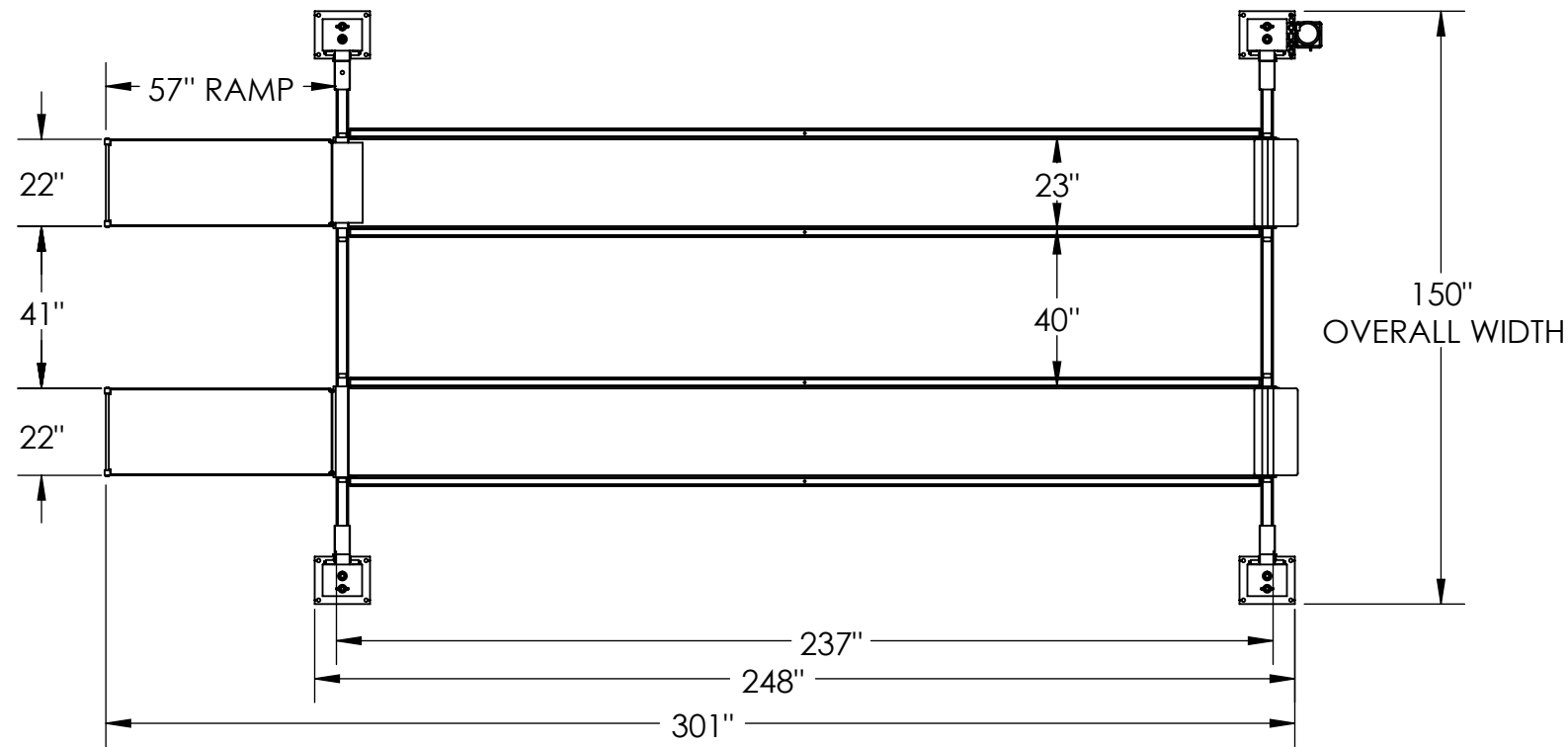
C

C



B

B



A

A

UNLESS OTHERWISE SPECIFIED:  
DIMENSIONS ARE IN [MM] INCHS

**TOLERANCES:**  
 FRACTIONAL:  $\pm[1.5] 1/16"$   
 ANGLE: MACH  $\pm 1/2^\circ$  BEND  $\pm 1^\circ$   
 X.X" (1 DECIMAL):  $\pm[3] 0.1"$   
 X.XX" (2 DECIMAL):  $\pm[1] 0.03"$   
 X.XXX" (3 DECIMAL):  $\pm[0.5] 0.010"$   
**GEOMETRIC TOLERANCING PER:**  
 ASME Y.14.5M-1994

MATERIAL

FINISH

DO NOT SCALE DRAWING



**PROPRIETARY AND CONFIDENTIAL**  
 THE INFORMATION CONTAINED IN THIS  
 DRAWING IS THE SOLE PROPERTY OF TOTAL  
 AUTOMOTIVE LIFTING SOLUTIONS INC. (TLS).  
 ANY REPRODUCTION IN PART OR AS A  
 WHOLE WITHOUT THE WRITTEN PERMISSION  
 OF TLS IS PROHIBITED.

NAME DATE

DRAWN S.Z. 11/01/2013

CHECKED

APPROVED

**TOTAL AUTOMOTIVE LIFTING  
 SOLUTIONS INC.**  
 (905)847-1198 FAX (905)891-1214  
[www.TLSLifts.com](http://www.TLSLifts.com)

MODEL: TLS419FDCXx1

CAPACITY: 19,000LBS

SIZE PART# REV.

B ALT. PART#

SCALE: 1:48

SHEET 1 OF 1

8 7 6 5 4 3 2 1

19K 4 POST SERVICE EXTENDED