

TLS INGROUND LIFTS

Capacity 12,000 lbs

- Gear & Rack equalizing system ensures Bolsters remain within to side
- Telescoping style arms to fit various makes & models (29" ~ 42")
- ETL/ALI Approved
- In-ground cassette style saves space = more lifts
- Accelerated lowering speed for quick service (less than 30" secs)
- 4 types of lifting adapters from 2" to 8"
- Air operated safety lock release
- High pressure (2" cylinders) uses less hydraulic fluid - environmental friendly
- 70" stroke makes the lift rise up to 80" + (with 8" adapter)

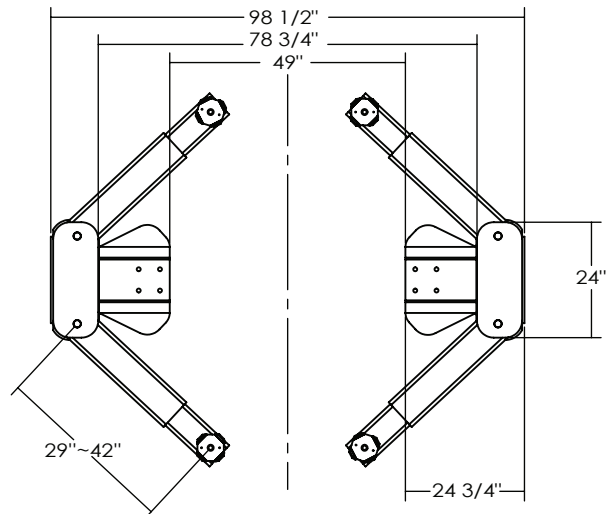
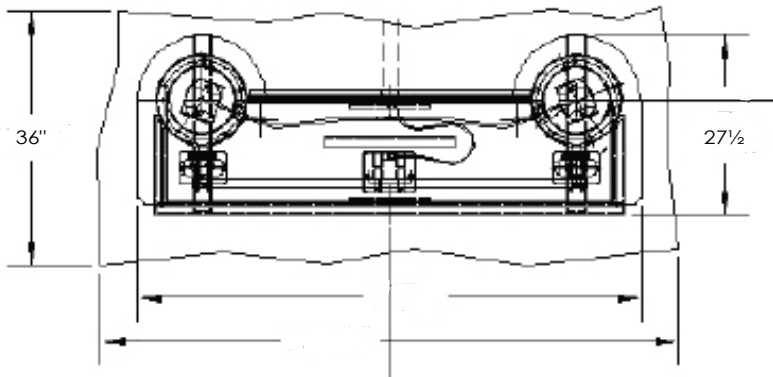


Model Number TLSIG212SRK1

Design Benefits



INGROUND LIFTS	TLSIG212SRK1
Capacity	12,000 lbs
Raised Height	74" up to 82" w/adaptors
Lowered Height	4.5"
Plunger	10 ^{5/8} "
Bolster	frame contact -swing arms
Synchronization	Mechanical
Overall Width	98 ^{1/2} "
Cassette Depth	88 ^{1/2} "
Cassette Width	78"
Cassette Length	28"
Lift Time	70 seconds
Lowering Time	less than 30 seconds
Power Requirements	electro/hydraulic power unit 220V PH (3 phase option)



Total Automotive Lifting Solutions Inc.

