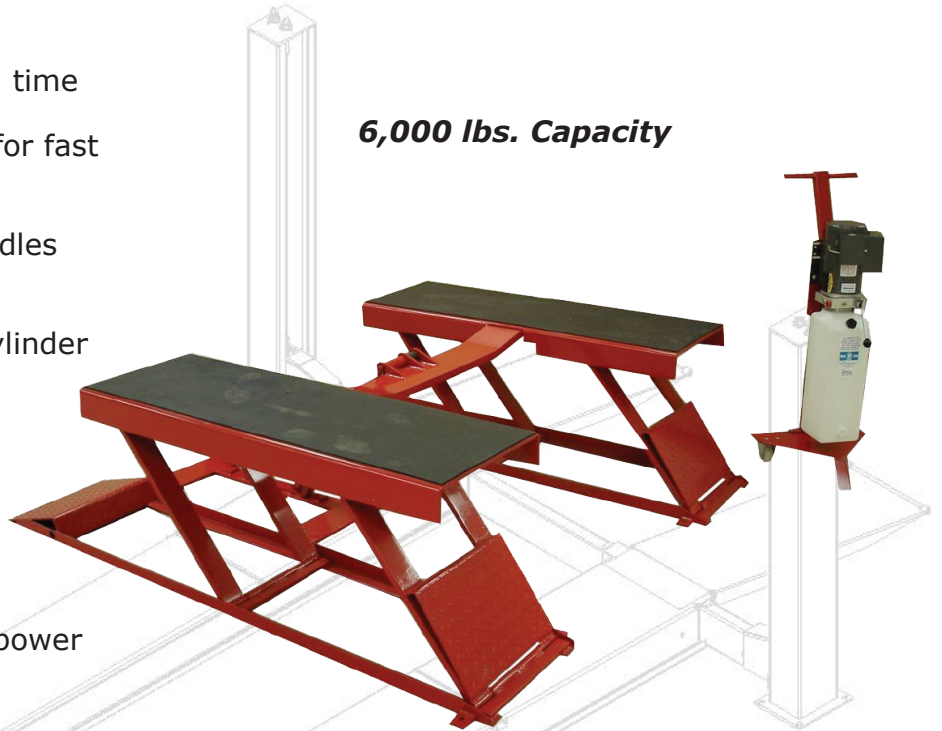


SPECIALTY LIFTS

- Fast 22 seconds full height lifting time
- Rubber padded lifting platforms for fast "drive on and lift" capability
- Low drive over height (3½") handles low profile vehicles
- Heavy duty 3" hydraulic lifting cylinder
- 3 position automatic mechanical safety lock leg for added safety
- Extension adapters (set of 4) included for easier lifting of frame type vehicles
- 115V or 220V - 1 phase - 60HZ power required

6,000 lbs. Capacity

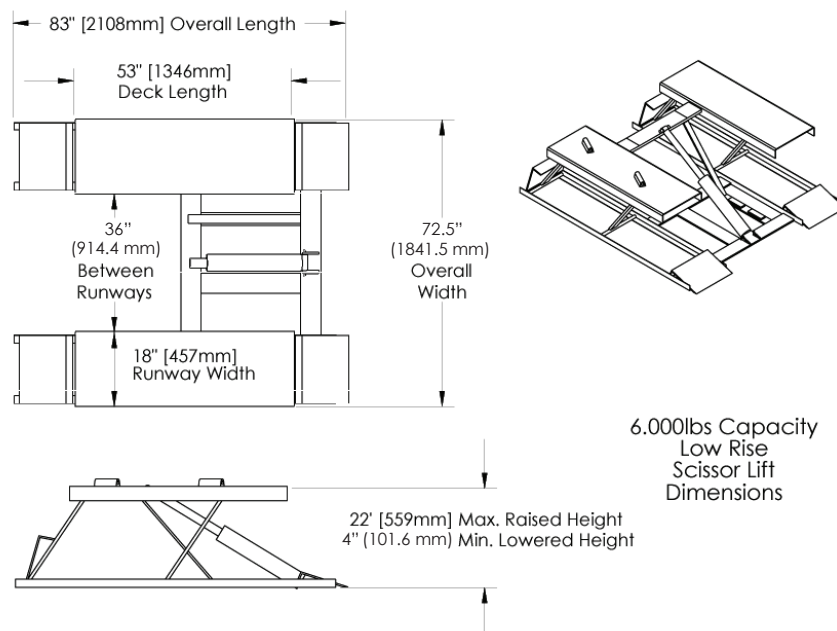


Model Number TSLR6RR4 LOWRISE

Design Benefits



SPECIALTY LIFTS - SPECIFICATIONS	TLS6LMRx1 LOWRISE	
Capacity	6,000 lbs	453.6 kg
Power Supply	110v/15 amp or 220v/8 amp -1Ph - 60 Hz	
Hydraulics Cylinders	1	
Lifting Time	36 seconds (220v)	
Overall Width	72"	183 cm
Overall Length	84"	213.36 cm
Distance Between Ramps	34 ^{1/2} "	87.6 cm
Collapsed Height	3 ^{1/2} " (to top of deck)	9 cm
Overall Lifting Height	22" to deck surface (without lifting blocks)	56 cm to deck surface (without lifting blocks)
Rubber Frame Engaging Contact Blocks	4	
Lowered Raised Height	7"	18 cm
Mechanical Locks	3	
Ramp Width	18"	46 cm
Ramp Length	53"	135 cm
Warranty	2 years parts	
Finish	Double Bake Powder Coat	



Total Automotive Lifting Solutions Inc.

